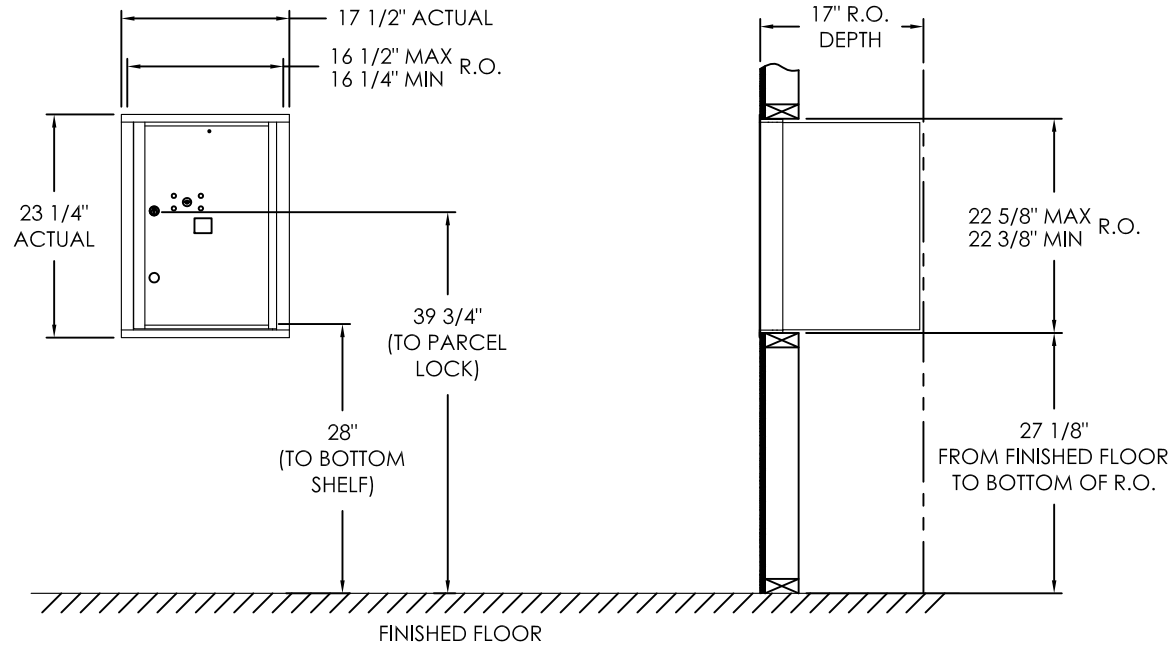


versatile™ 4C Mailbox, 4C06S-1P



COMPARTMENT CHART

DESCRIPTION	COMPARTMENT	COMPARTMENT SIZE	QTY.
PARCEL	PL6	20-1/2" H x 12" W x 15" D	1

Notes:

- This module meets the USPS STD-4C requirements for installation defined below when the mailbox is installed per the dimensions provided on this drawing.
  - At least one customer compartment shall be positioned less than 48" above finished floor (AFF).
  - No parcel locker (interior bottom shelf) shall be positioned less than 15" AFF.
  - No patron (tenant) lock shall be positioned more than 67" AFF.
  - No customer compartment (interior bottom shelf) shall be positioned less than 28" AFF.
  - The USPS Arrow lock shall be positioned 36"- 48" AFF.
- This 4C mailbox can also be used for private applications.
- The rough opening width for multi-unit 4C installations is provided using the Florence configurator: [www.florencemailboxes.com/configurator](http://www.florencemailboxes.com/configurator).

PRODUCT SERIES: VERSATILE™ 4C FRONT LOAD MAILBOX

**FLORENCE**  
**CORPORATION**

5935 Corporate Drive • Manhattan, KS 66503  
800.275.1747 • [www.florencemailboxes.com](http://www.florencemailboxes.com)

MODEL 4C06S-1P	REV B
SCALE NONE	LAST REV DATE 06/28/19
DRAWING NUMBER 4C06S-1PCS	DRAWN BY RAK