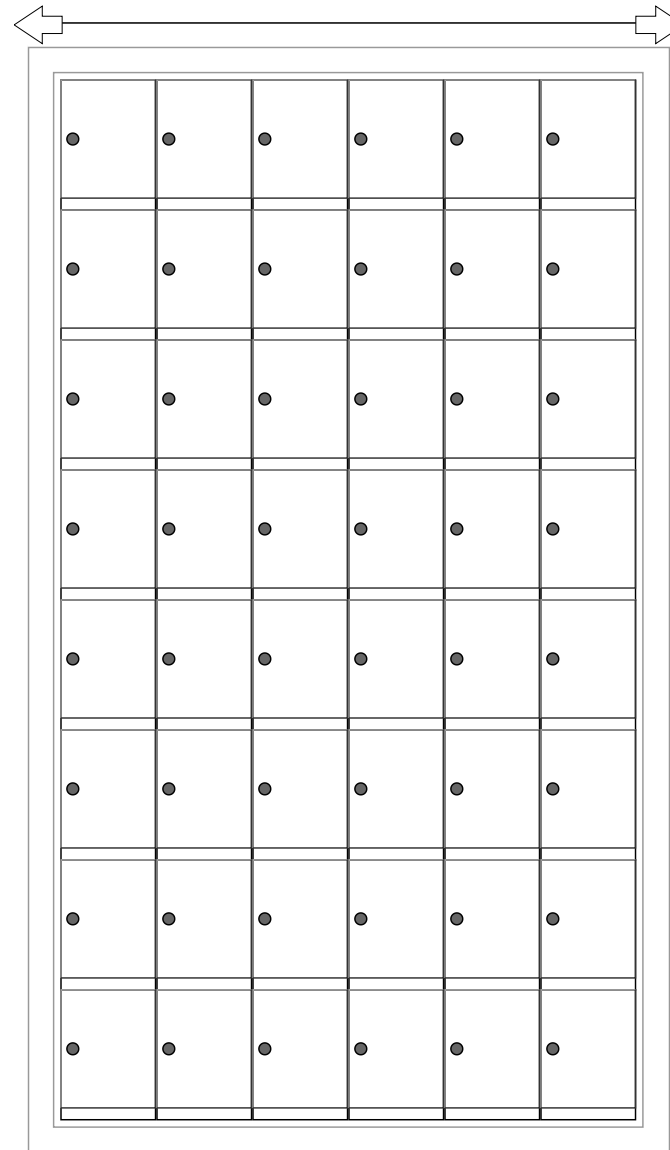


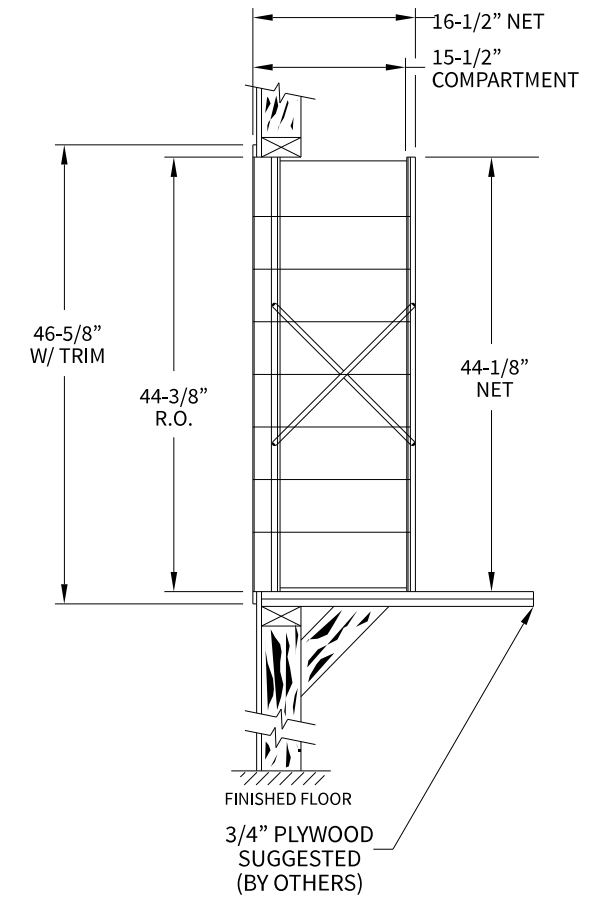
### 170086 Dimensions

Overall Width w/ Trim: 28-7/16"  
(Rough Opening: 26-3/16")



170086

### Side View



#### Configuration Details:

1. **Product Type:** 1700 Horizontal
2. **Installation:** Rear-load, Recessed Mount
3. **Finish:** Anodized Aluminum
4. **Locks:** Standard Cam Lock, 2 keys
5. **Door Id:** tbd
6. **Rear Cover:** tbd

Matching standard snap-on trim included

#### Models Used:

(1) 170086

#### Door Sizes Used:

(48) 1700 1x1 Compartment

**U.S. MAIL SUPPLY**  
America's Mailbox Headquarters

262-782-6510 Toll Free: 800-571-0147

1553 E. Racine Ave. Waukesha, WI 53186

ELEVATION: 170086 | MAILBOXES: 48 |

PROJECT NAME: 1700 Series Mailbox | DRAWN BY: FLORENCE

 5935 Corporate Drive • Manhattan, KS 66503 www.florencemailboxes.com • 800.275.1747 A GIBRALTAR INDUSTRIES COMPANY	DATE: 01-15-2016	P.O. NO:
	SCALE: NONE	QUOTE NO:
	DRAWING NO. WEB-1932	SHEET 1 OF 1