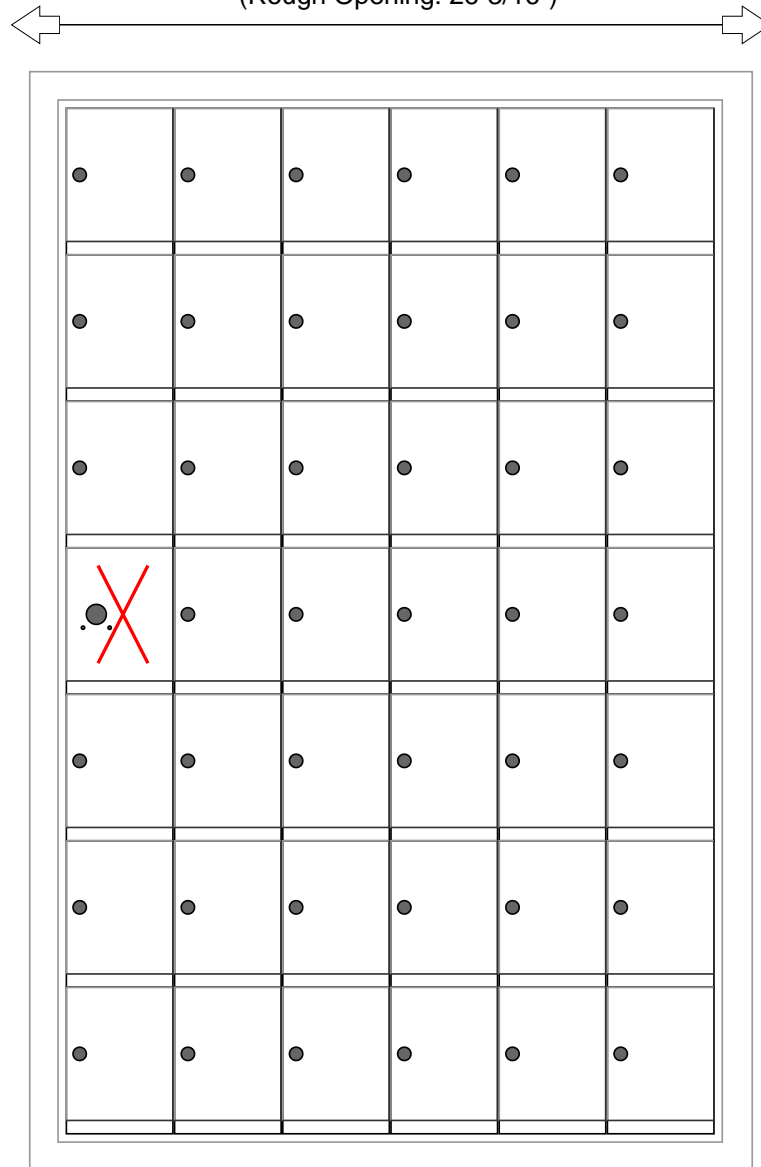


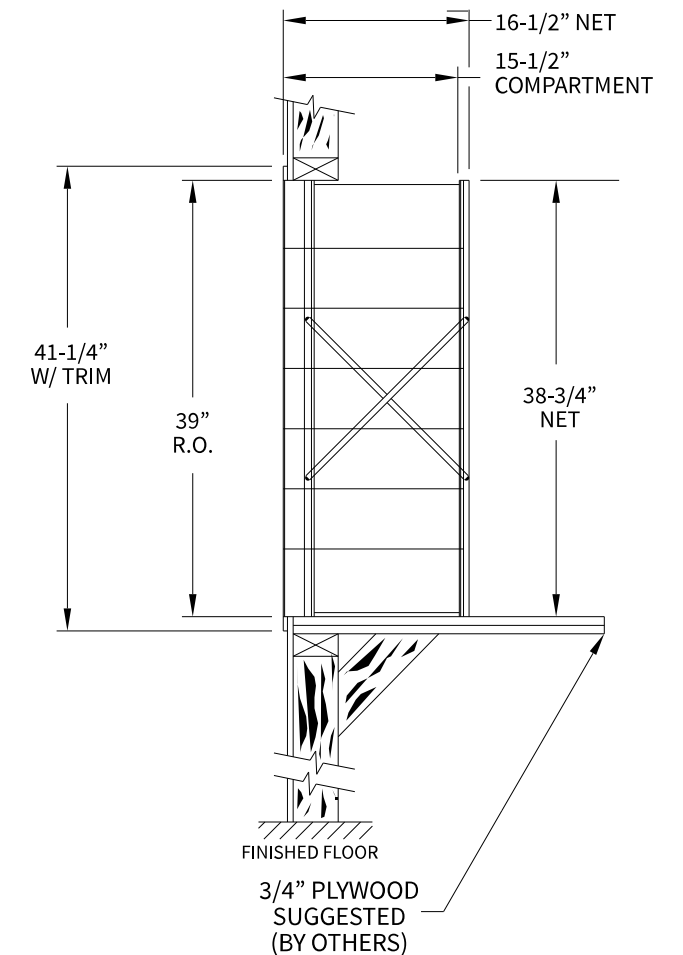
160076 Dimensions

Overall Width w/ Trim: 28-7/16"
(Rough Opening: 26-3/16")



160076

Side View



Configuration Details:

- 1. **Product Type:** 1600 Horizontal
- 2. **Installation:** Front-load, Recessed Mount
- 3. **Finish:** Anodized Aluminum
- 4. **Locks:** Standard Cam Lock, 2 keys
- 5. **Door Id:** tbd

Matching standard snap-on trim included

Models Used:

(1) 160076

Door Sizes Used:

(41) 1600 1x1 Compartment
(1) 1x1 Master

ELEVATION: 160076 | **MAILBOXES:** 41 |

PROJECT NAME: 1600 Series Mailbox | **DRAWN BY:** FLORENCE

AF FLORENCE manufacturing company 5935 Corporate Drive • Manhattan, KS 66503 www.florencemailboxes.com • 800.275.1747 A GIBRALTAR INDUSTRIES COMPANY	DATE: 01-15-2016	P.O. NO:
	SCALE: NONE	QUOTE NO:
	DRAWING NO. WEB-1932	SHEET 1 OF 1