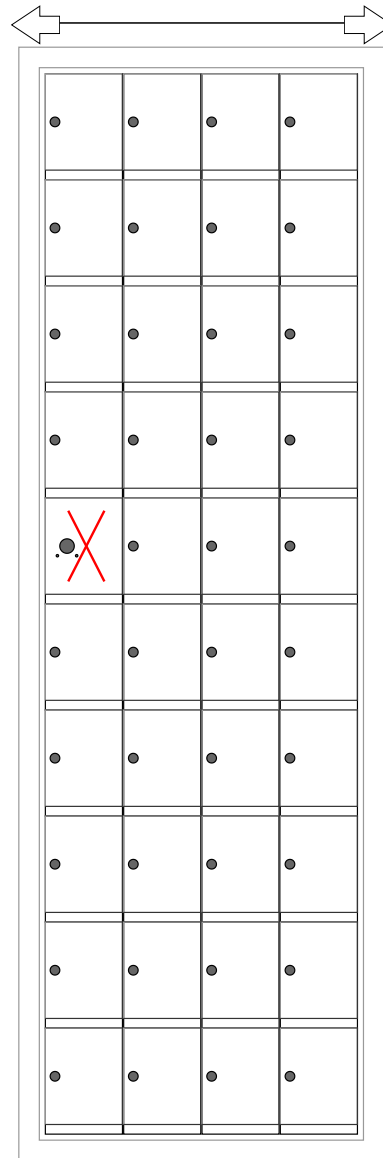


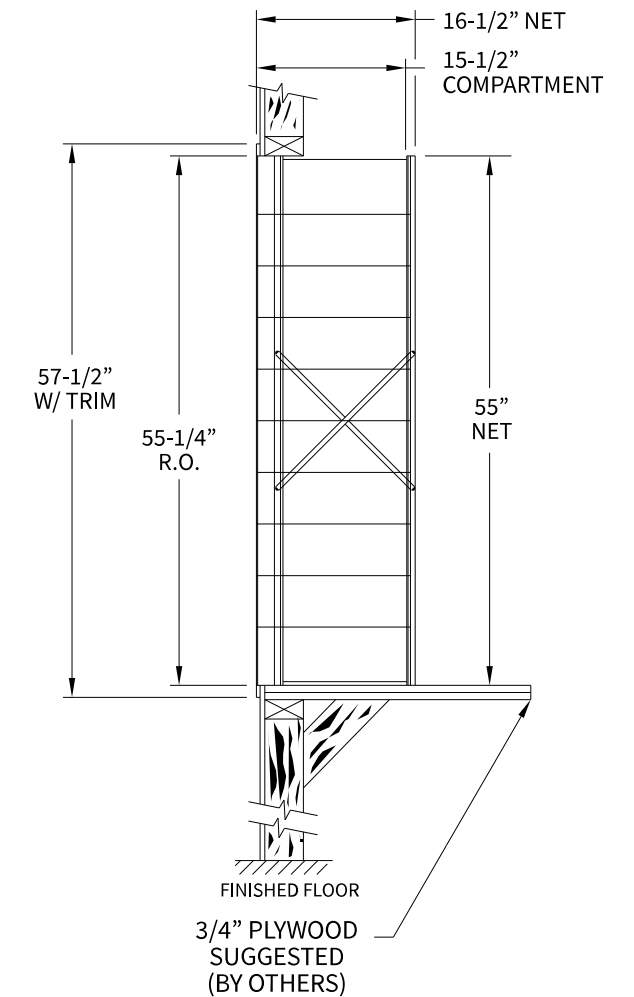
1600104 Dimensions

Overall Width w/ Trim: 20-5/16"
(Rough Opening: 18-1/16")



1600104

Side View



Configuration Details:

- 1. **Product Type:** 1600 Horizontal
- 2. **Installation:** Front-load, Recessed Mount
- 3. **Finish:** Anodized Aluminum
- 4. **Locks:** Standard Cam Lock, 2 keys
- 5. **Door Id:** tbd

Matching standard snap-on trim included

Models Used:

(1) 1600104

Door Sizes Used:

(39) 1600 1x1 Compartment
(1) 1x1 Master

U.S. MAIL SUPPLY
America's Mailbox Headquarters

262-782-6510 Toll Free: 800-571-0147

1553 E. Racine Ave. Waukesha, WI 53186

ELEVATION: 1600104 | **MAILBOXES:** 39 |

PROJECT NAME: 1600 Series Mailbox | **DRAWN BY:** FLORENCE

| | | |
|--|-----------------------------|---------------------|
| 5935 Corporate Drive • Manhattan, KS 66503 www.florencemailboxes.com • 800.275.1747 A GIBRALTAR INDUSTRIES COMPANY | DATE: 01-15-2016 | P.O. NO: |
| | SCALE: NONE | QUOTE NO: |
| | DRAWING NO. WEB-1932 | SHEET 1 OF 1 |