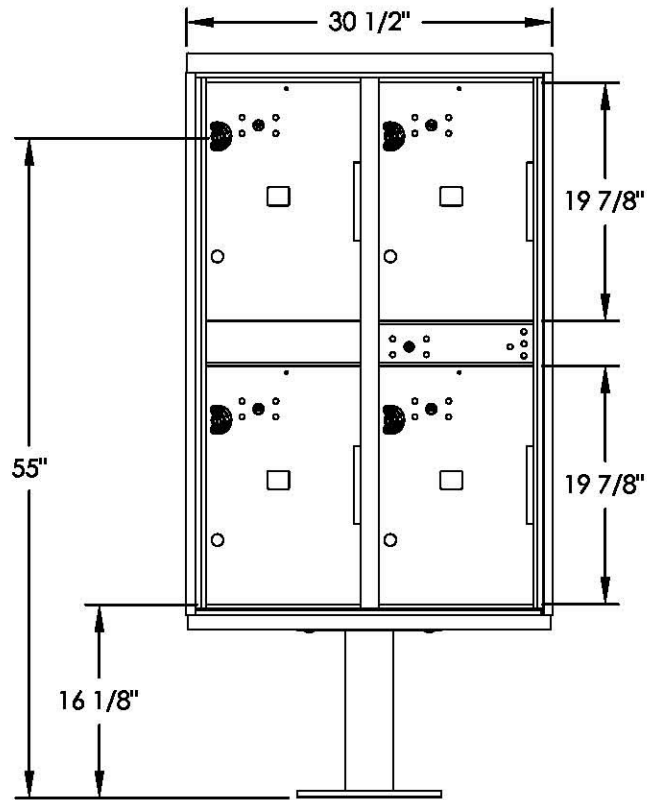
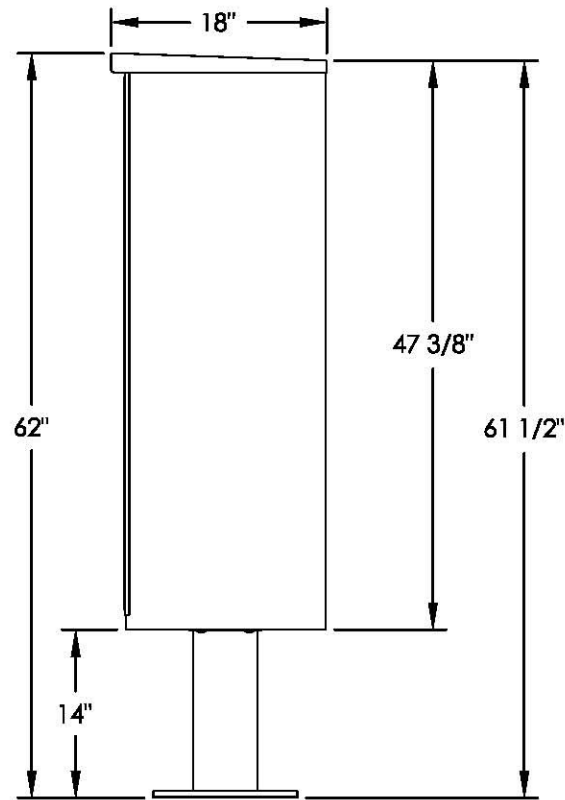


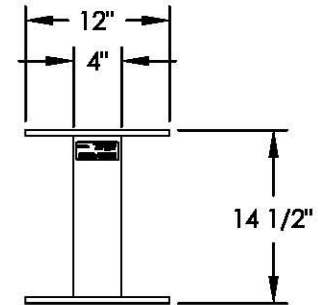
valiant™ Outdoor Parcel locker - Type II



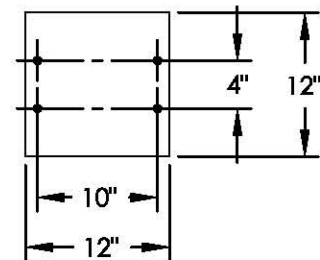
FRONT VIEW



SIDE VIEW



PEDESTAL



PEDESTAL BASE
BOLT PATTERN

DOOR CHART

DOOR Type	DIMENSION (HEIGHT x WIDTH)
PARCEL	19 7/8"x12-13/16"

NOTES:

1. This unit is approved for USPS and private applications.
2. Decorative mailbox accessories sold separately and are USPS Approved products.
3. OPL pedestal should be installed with included Rubber Pad; mounting hardware not included, refer to installation manual for recommendations.

PRODUCT SERIES:

valiant™ OUTDOOR PARCEL LOCKER

U.S. MAIL SUPPLY

America's Mailbox Headquarters



262-782-6510 Toll Free: 800-571-0147

1553 E. Racine Ave. Waukesha, WI 53186