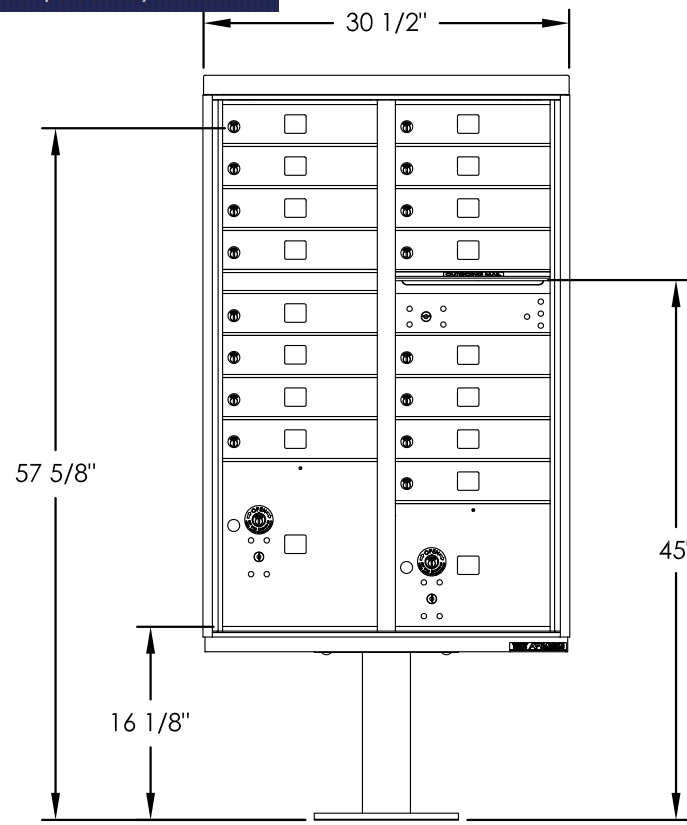
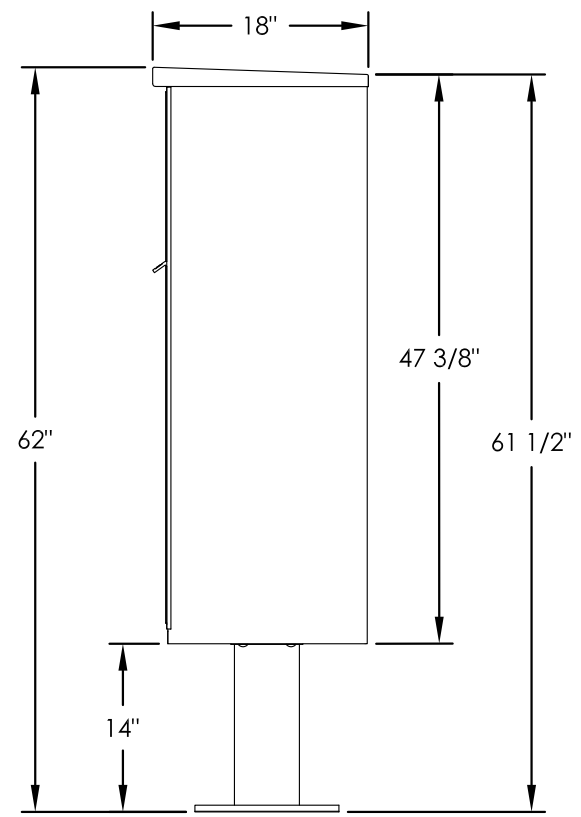


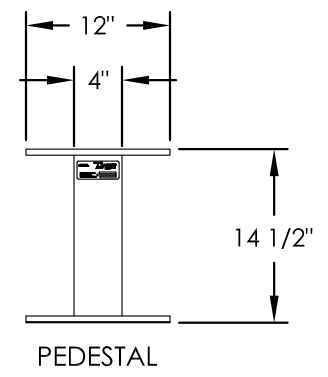
vital™ Cluster Box Unit - Type III



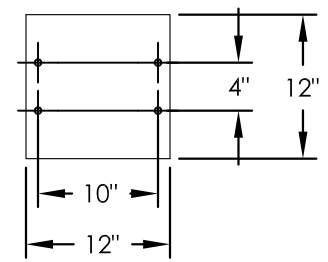
FRONT VIEW



SIDE VIEW



PEDESTAL



PEDESTAL BASE
BOLT PATTERN

DOOR CHART

DOOR TYPE	DIMENSION (HEIGHT x WIDTH)
TENANT	3-3/8"x12-13/16"
10" PARCEL	10-1/4"x12-13/16"
13" PARCEL	13-3/4"x12-13/16"
OUTGOING SLOT	3/4"x11-3/4"

NOTES:

1. This unit is approved for USPS and private applications.
2. Decorative mailbox accessories sold separately and are USPS Approved products.
3. Pedestal should be installed with included Rubber Pad; mounting hardware not included, refer to installation manual for recommendations.
4. Florence "F" series CBU is Officially Licensed by USPS: License#CDSEQ-08-B-0012

PRODUCT SERIES: vital™ CLUSTER BOX UNIT

 5935 Corporate Drive • Manhattan, KS 66503 www.florencemailboxes.com • (800) 275-1747 A GIBRALTAR INDUSTRIES COMPANY	MODEL 1570-16	REV A
	SCALE NONE	LAST REV DATE 9/26/2012
DRAWING NUMBER 1570-16CS	DRAWN BY AFD	