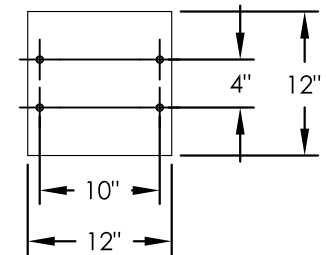
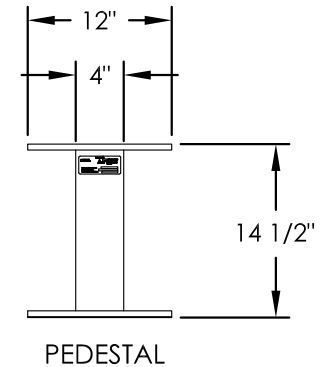
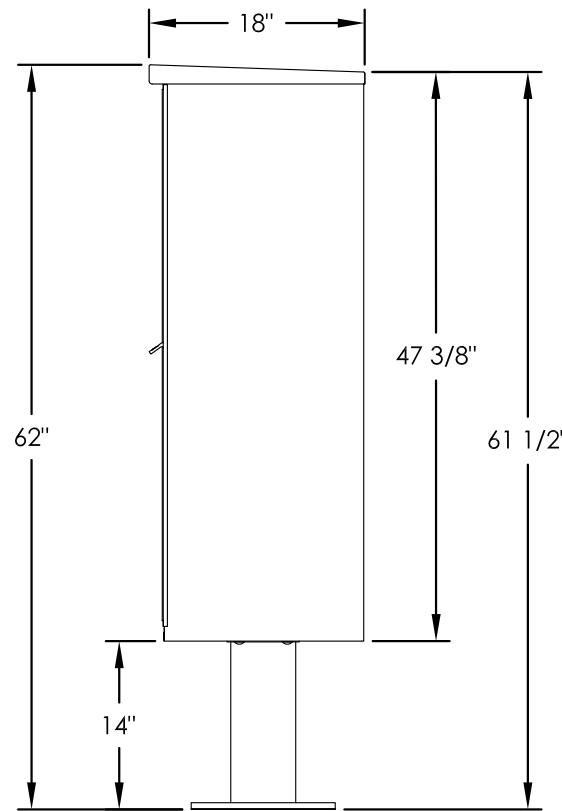
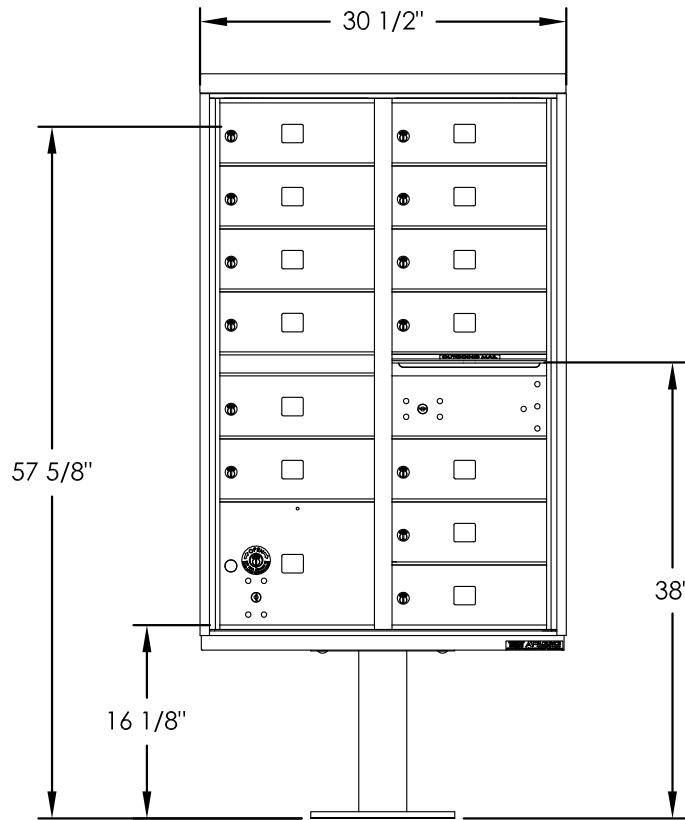


vital™ Cluster Box Unit - Type IV



SIDE VIEW

PEDESTAL BASE BOLT PATTERN

NOTES:

1. This unit is approved for USPS and private applications.
2. Decorative mailbox accessories sold separately and are USPS Approved products.
3. CBU pedestal should be installed with included Rubber Pad; mounting hardware not included, refer to installation manual for recommendation.
4. Florence "F" series CBU is Officially Licensed by USPS. License#CDSEQ-08-B-0012

DOOR CHART

DOOR TYPE	DIMENSION (HEIGHT x WIDTH)
TENANT	5" x 12-13/16"
10" PARCEL	10-1/4" x 12-13/16"
OUTGOING SLOT	3/4" x 11-3/4"

PRODUCT SERIES: vital™ CLUSTER BOX UNIT

5935 Corporate Drive • Manhattan, KS 66503
www.florencemailboxes.com • (800) 275-1747
A GIBRALTAR INDUSTRIES COMPANY

MODEL 1570-13	REV A
SCALE NONE	LAST REV DATE 9/26/2012
DRAWING NUMBER 1570-13CS	DRAWN BY AFD