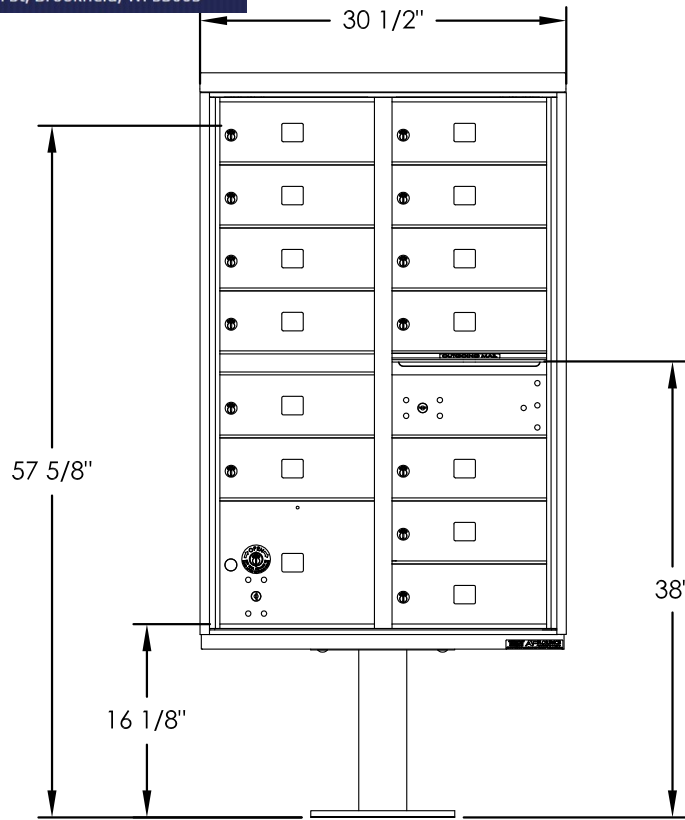
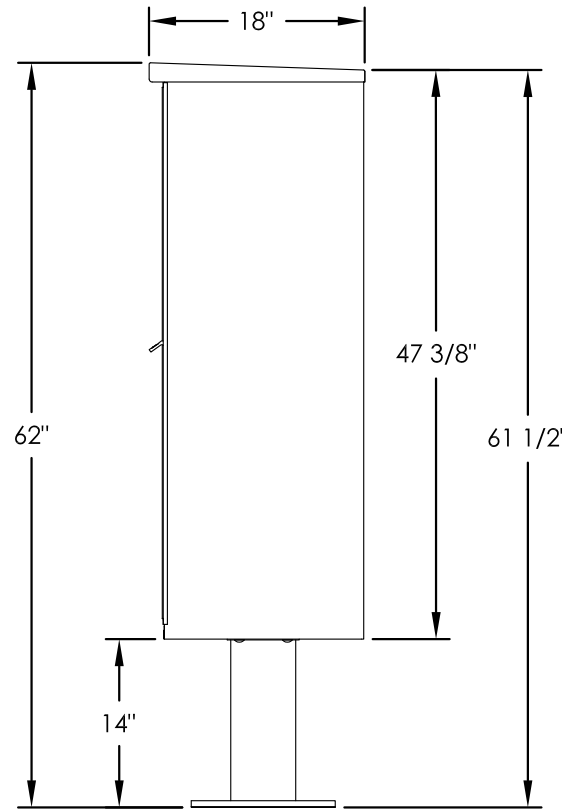


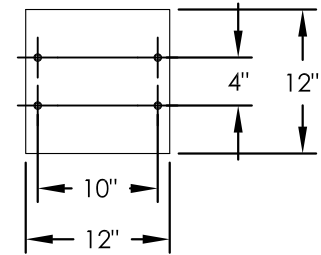
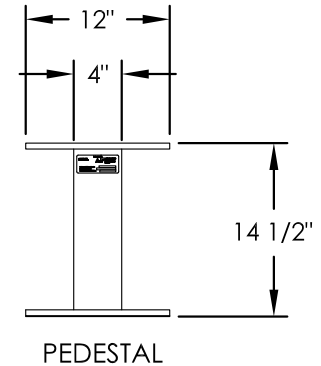
vital™ Cluster Box Unit - Type IV



FRONT VIEW



SIDE VIEW



PEDESTAL BASE BOLT PATTERN

DOOR CHART

DOOR TYPE	DIMENSION (HEIGHT x WIDTH)
TENANT	5" x 12-13/16"
10" PARCEL	10-1/4" x 12-13/16"
OUTGOING SLOT	3/4" x 11-3/4"

NOTES:

1. This unit is approved for USPS and private applications.
2. Decorative mailbox accessories sold separately and are USPS Approved products.
3. CBU pedestal should be installed with included Rubber Pad; mounting hardware not included, refer to installation manual for recommendation.
4. Florence "F" series CBU is Officially Licensed by USPS. License#CDSEQ-08-B-0012

PRODUCT SERIES: vital™ CLUSTER BOX UNIT

AF FLORENCE
manufacturing company
5935 Corporate Drive • Manhattan, KS 66503
www.florencemailboxes.com • (800) 275-1747
A GIBRALTAR INDUSTRIES COMPANY

MODEL	1570-13	REV	A
SCALE	NONE	LAST REV DATE	9/26/2012
DRAWING NUMBER	1570-13CS	DRAWN BY	AFD