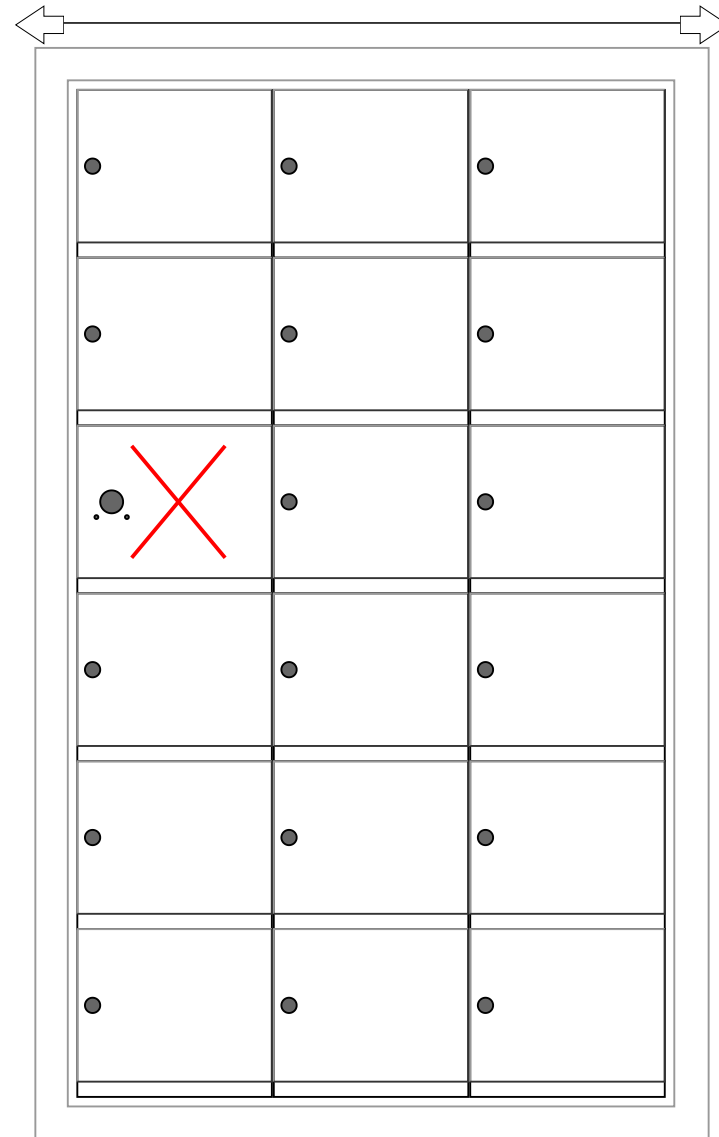


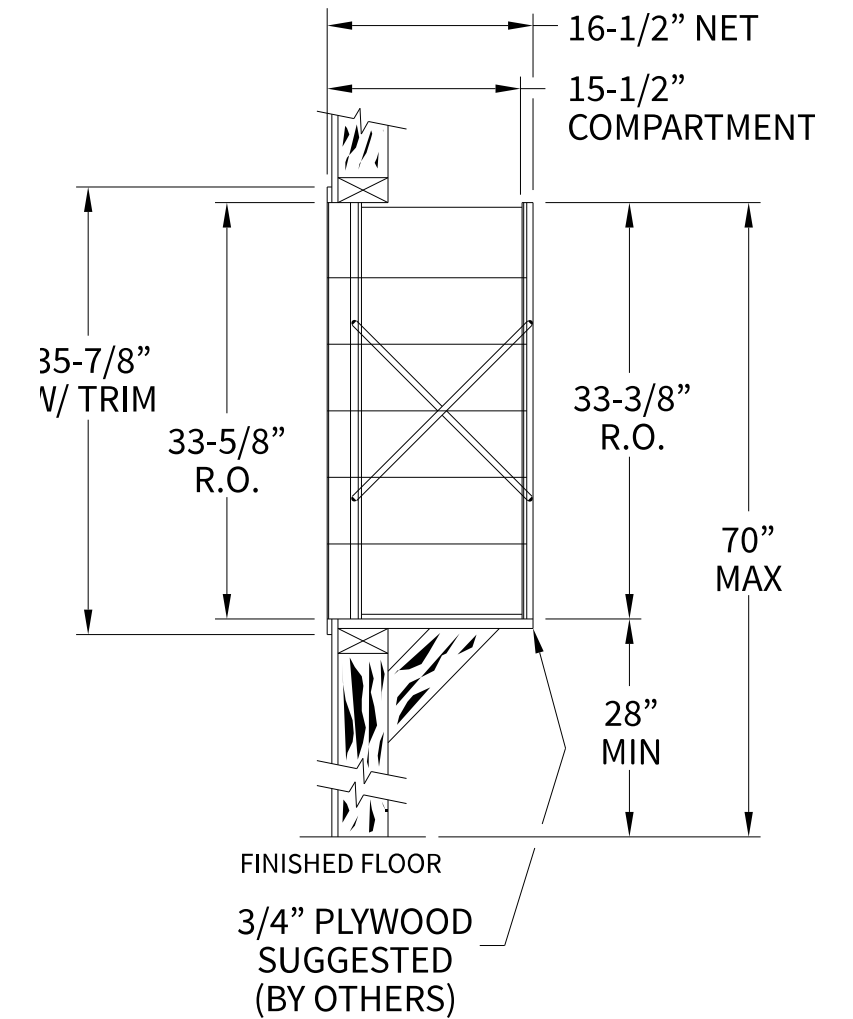
140063 Dimensions

Overall Width w/ Trim: 23-1/4"
(Rough Opening: 21")



140063

Side View



Configuration Details:

- 1. **Product Type:** 1400 Horizontal
- 2. **Installation:** Front-load, Recessed Mount
- 3. **Finish:** Anodized Aluminum
- 4. **Locks:** Standard Cam Lock, 2 keys
- 5. **Door Id:** tbd
- 6. **Master Door:** tbd

Matching standard snap-on trim included

Models Used:

(1) 140063

Door Sizes Used:

(17) 1400 1x1 Compartment
(1) 1x1 Master

262-782-6510 Toll Free: 800-571-0147
1553 E. Racine Ave. Waukesha, WI 53186

ELEVATION: 140063 | **MAILBOXES:** 17 |

PROJECT NAME: 1400 Series Mailbox | **DRAWN BY:** FLORENCE

 5935 Corporate Drive • Manhattan, KS 66503 www.florencemailboxes.com • 800.275.1747 A GIBRALTAR INDUSTRIES COMPANY	DATE: 01-15-2016	P.O. NO:
	SCALE: NONE	QUOTE NO:
	DRAWING NO. WEB-1933	SHEET 1 OF 1