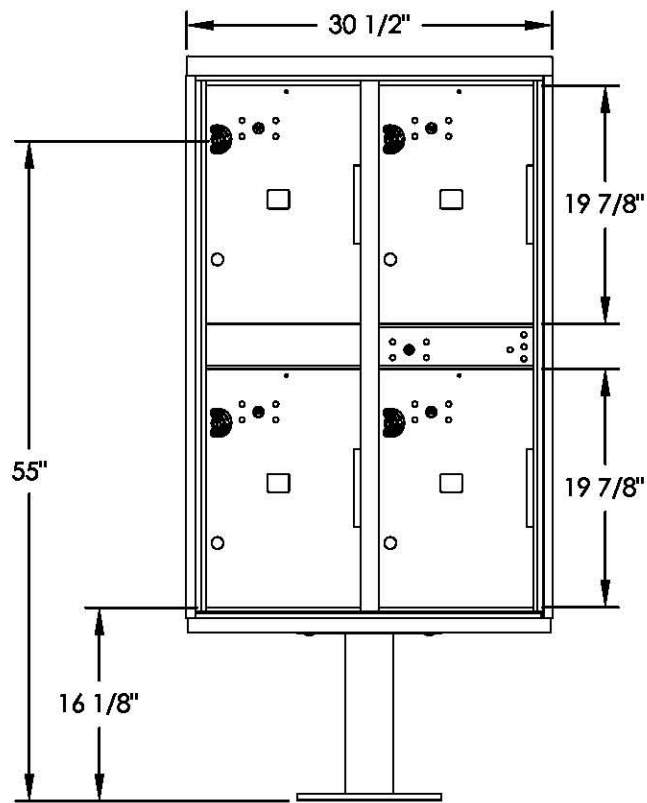
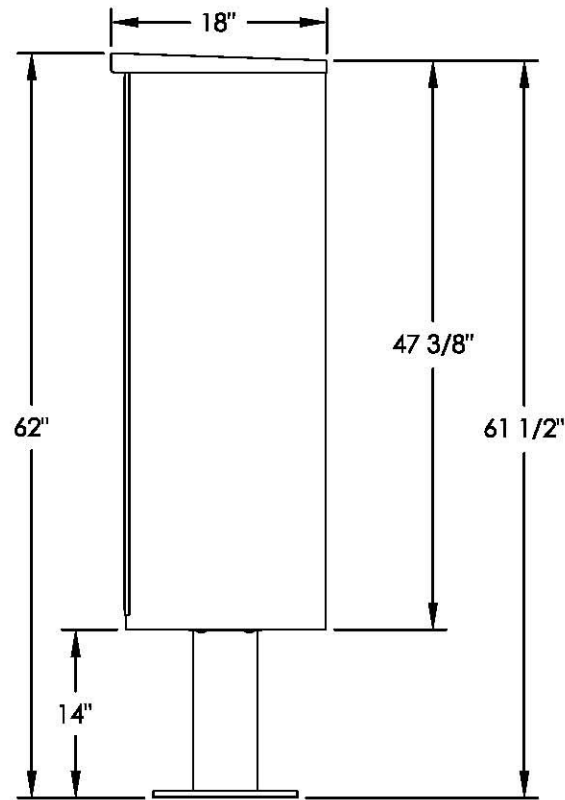


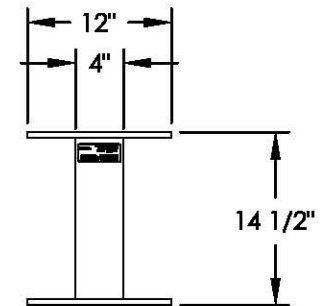
valiant™ Outdoor Parcel locker - Type II



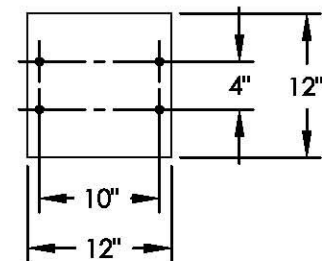
FRONT VIEW



SIDE VIEW



PEDESTAL



PEDESTAL BASE
BOLT PATTERN

DOOR CHART

DOOR Type	DIMENSION (HEIGHT x WIDTH)
PARCEL	19 7/8"x12-13/16"

NOTES:

1. This unit is approved for USPS and private applications.
2. Decorative mailbox accessories sold separately and are USPS Approved products.
3. OPL pedestal should be installed with included Rubber Pad; mounting hardware not included, refer to installation manual for recommendations.

PRODUCT SERIES: valiant™ OUTDOOR PARCEL LOCKER

U.S. Mail Supply, Inc.
3065 N. 124th St.
Brookfield, WI 53005
Phone: 800-571-0147 Fax: 800-589-1068
Visit Our Website: www.usmailsupply.com