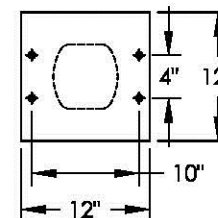
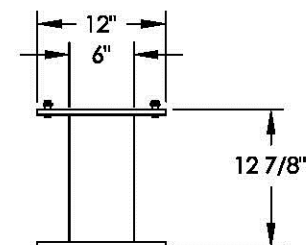
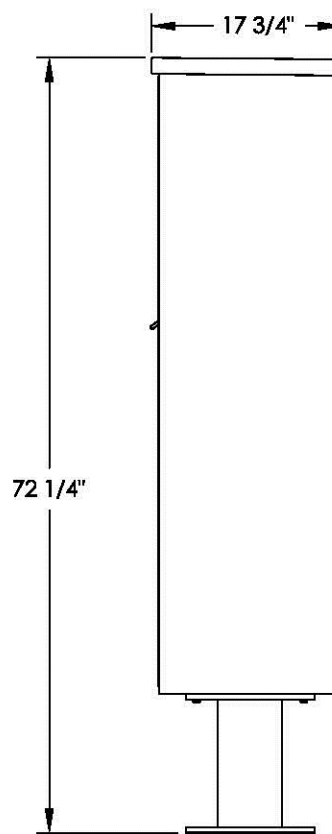
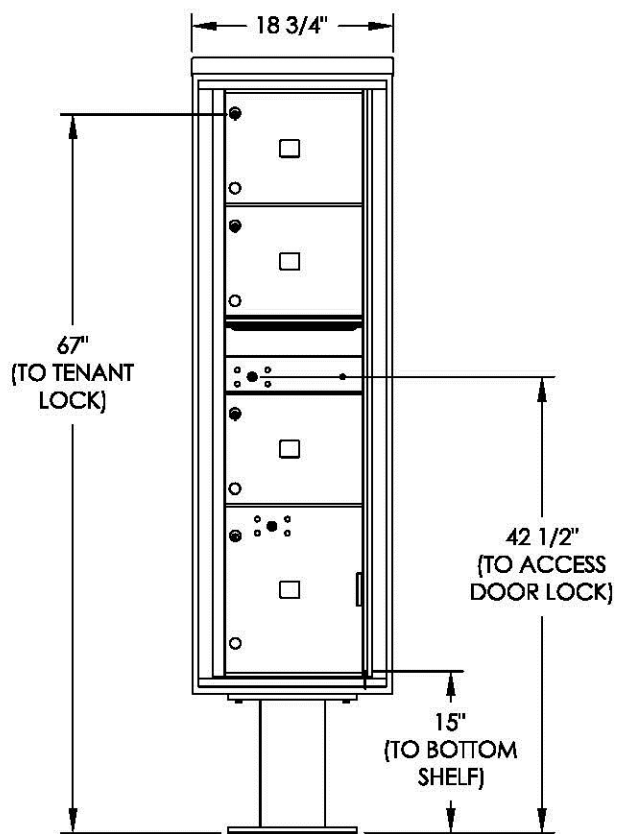


# versatile™ 4C Pedestal Mount Mailbox, 4C16S-03-P



PEDESTAL DETAIL

COMPARTMENT CHART

DESCRIPTION	COMPARTMENT	COMPARTMENT SIZE	QTY.
MAILBOX	MB3	10" H x 12" W x 15" D	3
OUTGOING MAIL	OM2	6 1/2" H x 12" W x 15" D	1
PARCEL	PL15	15" H x 12" W x 15" D	1

**This Product Distributed By:**  
**U.S. Mail Supply, Inc.**  
 3065 North 124th Street  
 Brookfield, WI 53005-3857  
 Ph: 800-571-0147 / Fax: 800-589-1068  
 www.usmailsupply.com

PRODUCT SERIES: **VERSATILE™ 4C PEDESTAL MOUNT MAILBOX**

**AF FLORENCE**  
**manufacturing company**  
 5935 Corporate Drive • Manhattan, KS 66503  
 www.florencemailboxes.com • (800) 275-1747  
 A GIBRALTAR INDUSTRIES COMPANY

MODEL	4C16S-03-P	REV	D
SCALE	NONE	LAST REV DATE	5/16/2014
DRAWING NUMBER	4C16S-03-PCS	DRAWN BY	SDH