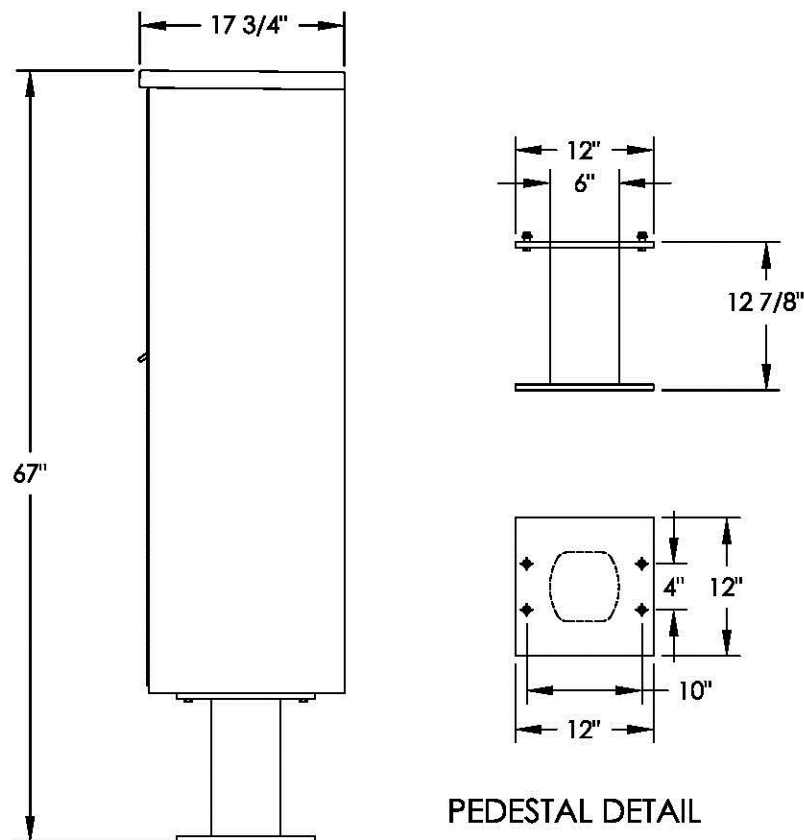
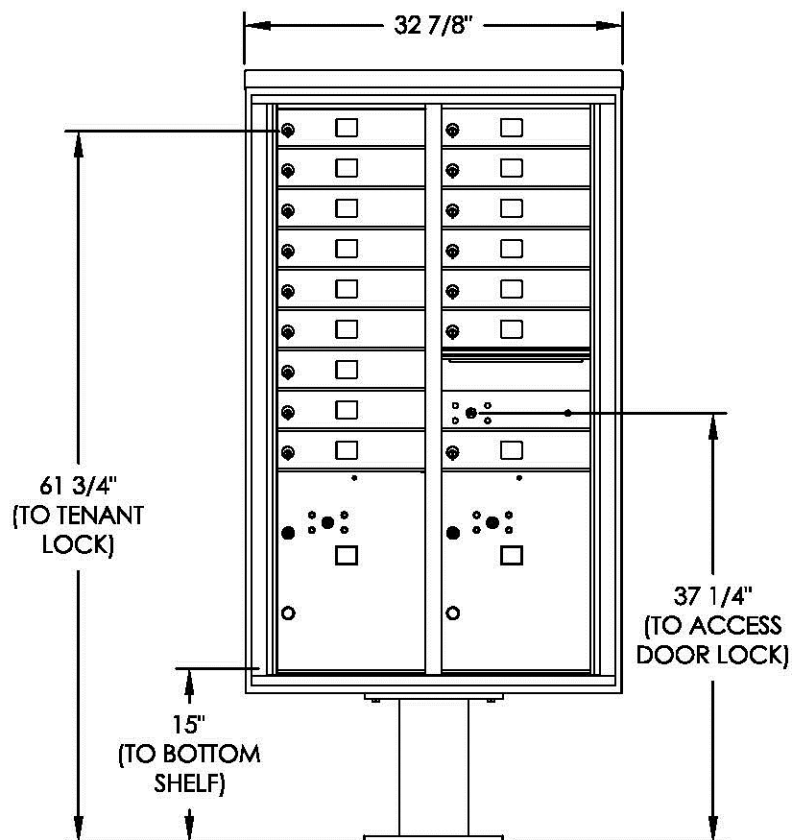


versatile™ 4C Pedestal Mount Mailbox, 4C14D-16-P



COMPARTMENT CHART

DESCRIPTION	COMPARTMENT	COMPARTMENT SIZE	QTY.
MAILBOX	MB1	16" H x 12" W x 15" D	16
OUTGOING MAIL	OM2	6-1/2" H x 12" W x 15" D	1
PARCEL	PL5	17" H x 12" W x 15" D	2

This Product Distributed By:

U.S. Mail Supply, Inc.
 3065 North 124th Street
 Brookfield, WI 53005-3857
 Ph: 800-571-0147 / Fax: 800-589-1068
 www.usmailsupply.com

PRODUCT SERIES: VERSATILE™ 4C PEDESTAL MOUNT MAILBOX

<p>5935 Corporate Drive • Manhattan, KS 66503 www.florencemailboxes.com • (800) 275-1747 A GIBRALTAR INDUSTRIES COMPANY</p>	MODEL	4C14D-16-P	REV	A
	SCALE	NONE	LAST REV DATE	5/12/2014
	DRAWING NUMBER	4C14D-16-PCS		
	DRAWN BY	RAK		