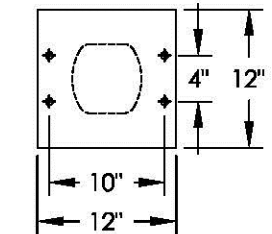
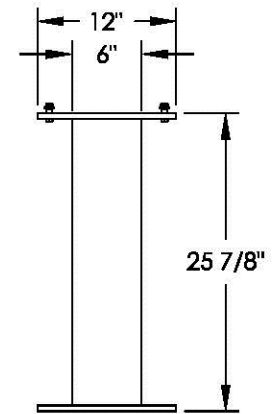
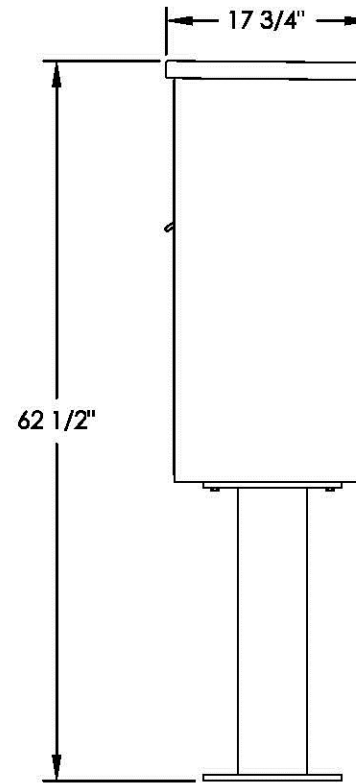
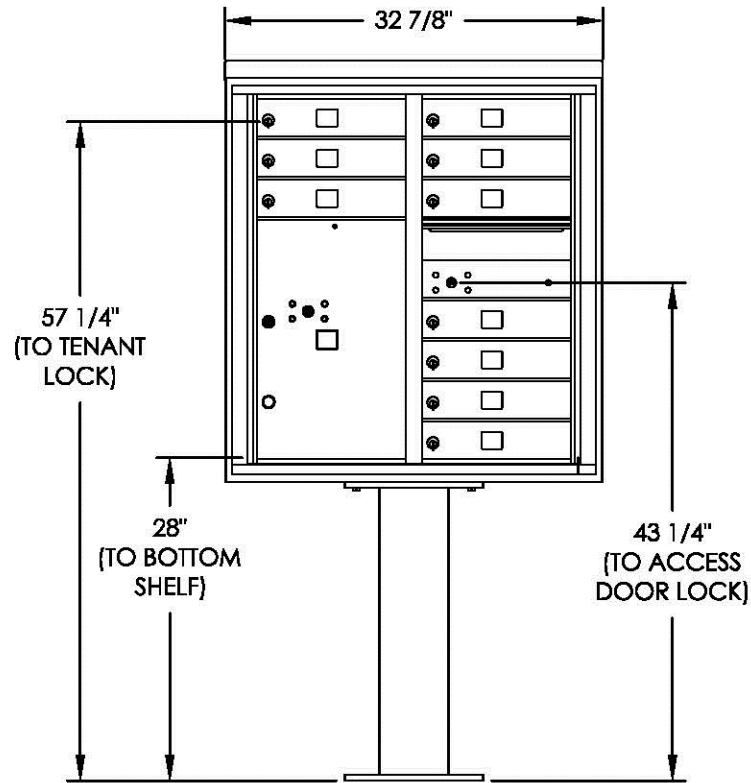


# versatile™ 4C Pedestal Mount Mailbox, 4C09D-10-P



PEDESTAL DETAIL

## COMPARTMENT CHART

DESCRIPTION	COMPARTMENT	COMPARTMENT SIZE	QTY.
MAILBOX	MB1	3" H x 12" W x 15" D	10
OUTGOING MAIL	OM2	6-1/2" H x 12" W x 15" D	1
PARCEL	PL6	20-1/2" H x 12" W x 15" D	1

This Product Distributed By:

**U.S. Mail Supply, Inc.**

3065 North 124th Street  
 Brookfield, WI 53005-3857  
 Ph: 800-571-0147 / Fax: 800-589-1068  
 www.usmailsupply.com

PRODUCT SERIES: VERSATILE™ 4C PEDESTAL MOUNT MAILBOX

**AF FLORENCE**  
 manufacturing company  
 5935 Corporate Drive • Manhattan, KS 66503  
 www.florencemailboxes.com • (800) 275-1747  
 A GIBRALTAR INDUSTRIES COMPANY

MODEL	4C09D-10-P	REV	B
SCALE	NONE	LAST REV DATE	5/14/2014
DRAWING NUMBER	4C09D-10-PCS	DRAWN BY	SDH