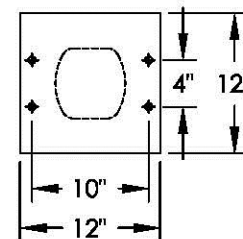
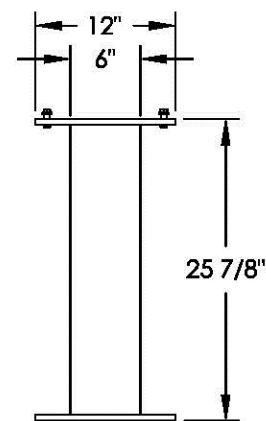
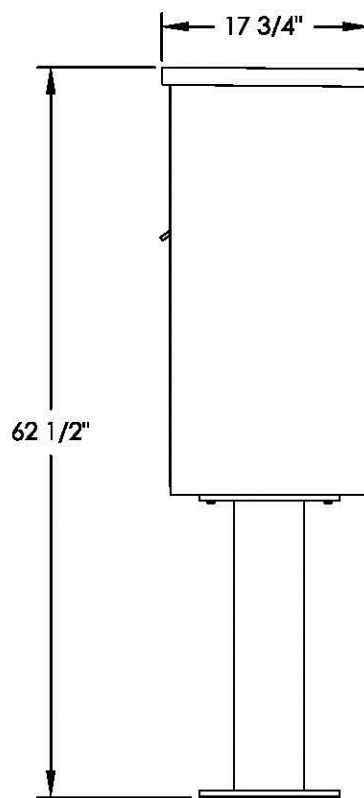
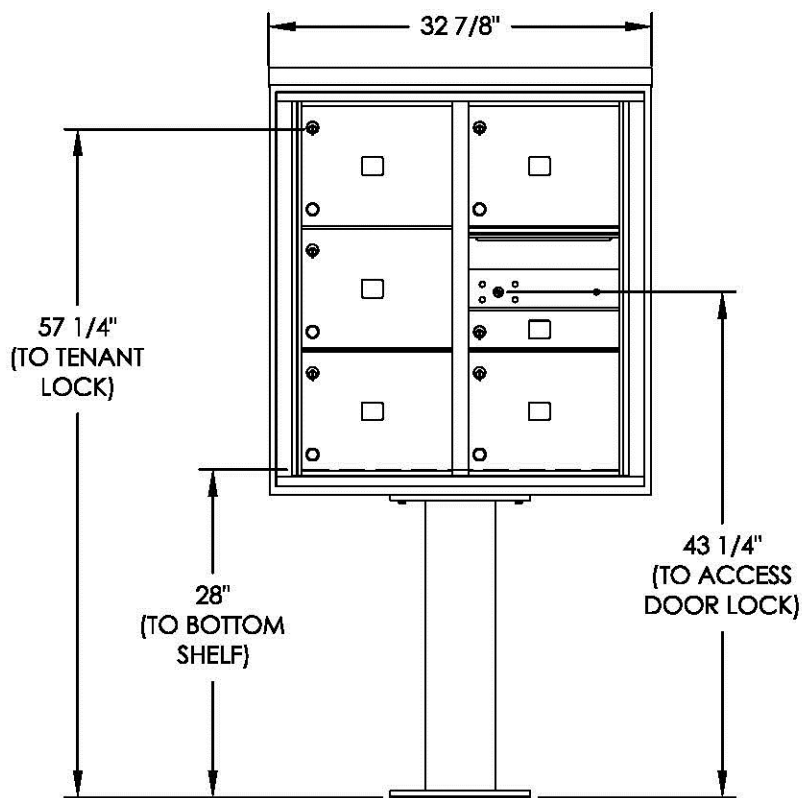


# versatile™ 4C Pedestal Mount Mailbox, 4C09D-06-P



PEDESTAL DETAIL

## COMPARTMENT CHART

DESCRIPTION	COMPARTMENT	COMPARTMENT SIZE	QTY.
MAILBOX	MB1	3" H x 12" W x 15" D	1
MAILBOX	MB3	10" H x 12" W x 15" D	5
OUTGOING MAIL	OM2	6-1/2" H x 12" W x 15" D	1

This Product Distributed By:

**U.S. Mail Supply, Inc.**

3065 North 124th Street  
Brookfield, WI 53005-3857

Ph: 800-571-0147 / Fax: 800-589-1068  
www.usmailsupply.com

PRODUCT SERIES: VERSATILE™ 4C PEDESTAL MOUNT MAILBOX

**AF FLORENCE**  
manufacturing company  
5935 Corporate Drive • Manhattan, KS 66503  
www.florencemailboxes.com • (800) 275-1747  
A GIBRALTAR INDUSTRIES COMPANY

MODEL	4C09D-06-P	REV	C
SCALE	NONE	LAST REV DATE	5/15/14
DRAWING NUMBER	4C09D-06-PCS	DRAWN BY	SDH