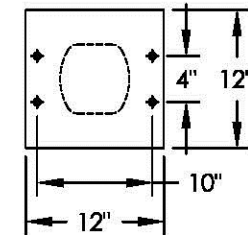
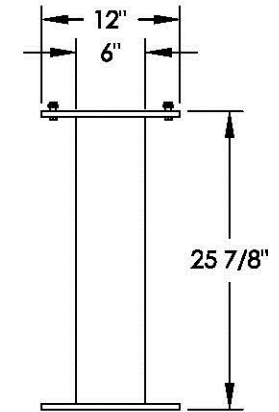
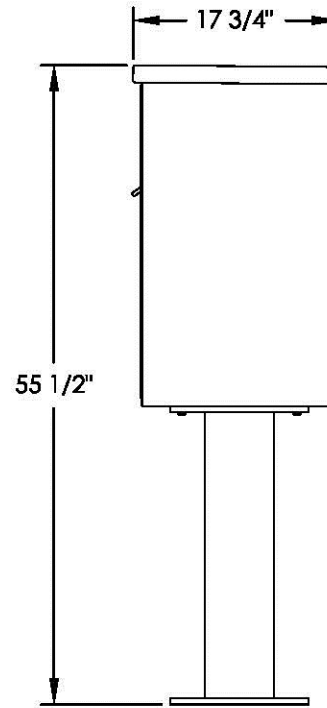
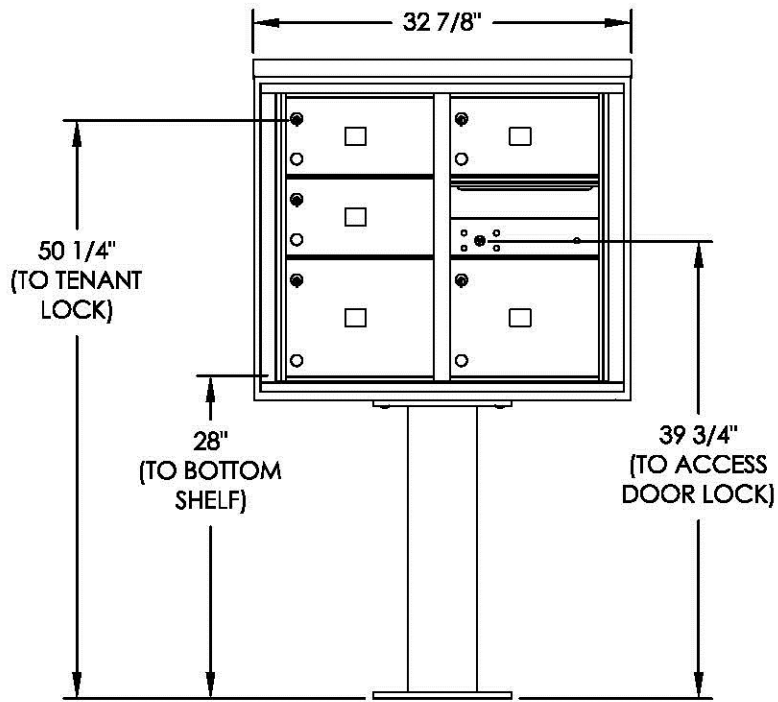


versatile™ 4C Pedestal Mount Mailbox, 4C07D-05-P



PEDESTAL DETAIL

COMPARTMENT CHART

DESCRIPTION	COMPARTMENT	COMPARTMENT SIZE	QTY.
MAILBOX	MB2	6-1/2" H x 12" W x 15" D	3
MAILBOX	MB3	10" H x 12" W x 15" D	2
OUTGING MAIL	OM2	6-1/2" H x 12" W x 15" D	1

This Product Distributed By:

U.S. Mail Supply, Inc.

3065 North 124th Street
 Brookfield, WI 53005-3857
 Ph: 800-571-0147 / Fax: 800-589-1068
 www.usmailsupply.com

PRODUCT SERIES: VERSATILE™ 4C PEDESTAL MOUNT MAILBOX

AF FLORENCE
 manufacturing company
 5935 Corporate Drive • Manhattan, KS 66503
 www.florencemailboxes.com • (800) 275-1747
 A GIBRALTAR INDUSTRIES COMPANY

MODEL	4C07D-05-P	REV	B
SCALE	NONE	LAST REV DATE	5/14/2014
DRAWING NUMBER	4C07D-05-PCS	DRAWN BY	RAK