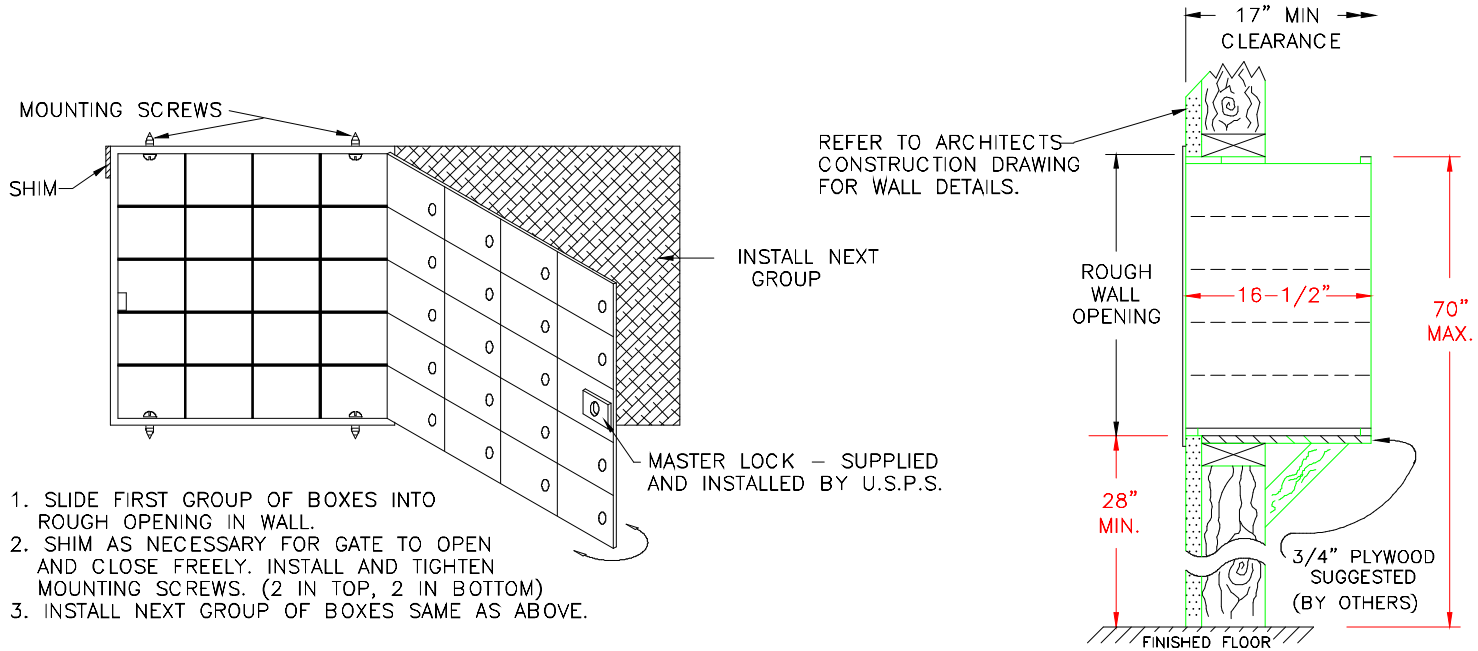


RECOMMENDED MOUNTING DETAILS FOR 1400 SERIES F/L MAILBOXES

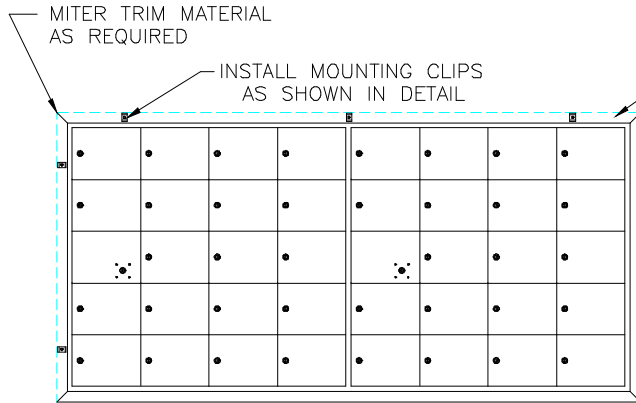
* Meets all the latest USPS regulations. See postal Service Publication 17 available from your local postmaster.



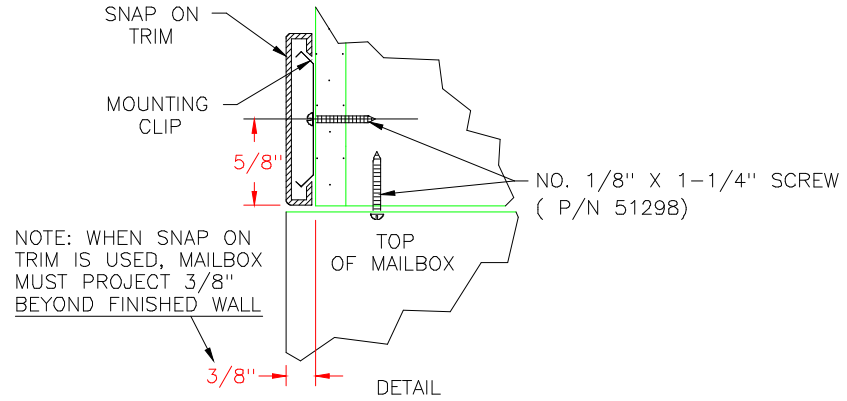
AUTH AF FLORENCE
 MANUFACTURING COMPANY
 5935 CORPORATE DRIVE
 MANHATTAN KANSAS 66503

INSTALLATION OF OPTIONAL AUTH-FLORENCE SNAP ON TRIM

1400/1500, 1600/1700, 1450/1550 HORIZONTAL MAILBOXES)



1. SCREW MOUNTING CLIP TO WALL USING 1/8" X 1-1/4" SCREWS
2. HOOK ONE EDGE OF TRIM OVER LEG OF CLIP AND SNAP TRIM OVER SECOND LEG OF CLIP



AUTH AF FLORENCE
MANUFACTURING COMPANY
5935 CORPORATE DRIVE
MANHATTAN KANSAS 66503