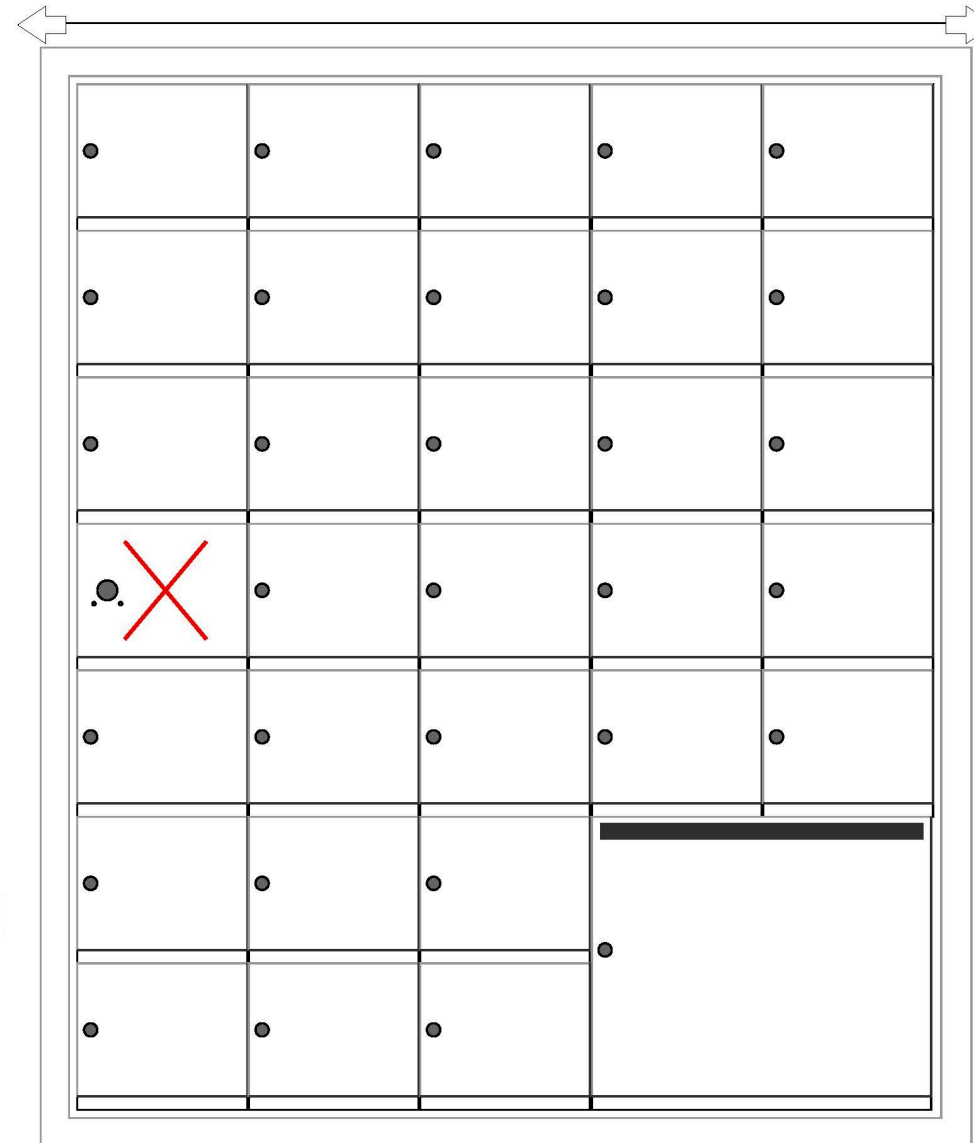


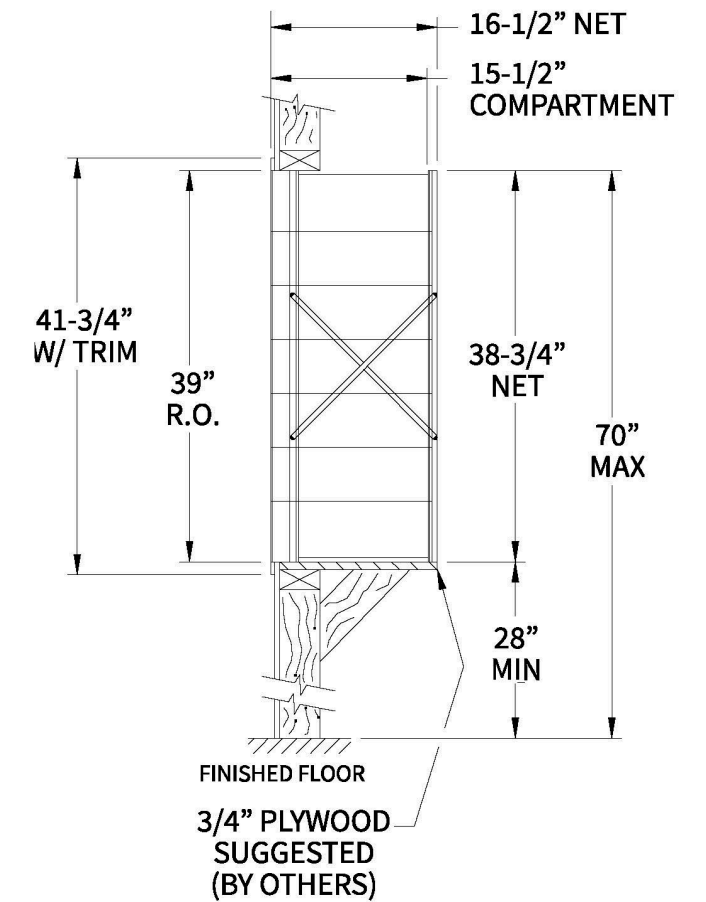
**1400-75OU Dimensions**

Overall Width w/ Trim: 36-1/8"  
(Rough Opening: 33-7/8")



140075OU

**Side View**



**This Product Distributed By:**  
**U.S. Mail Supply, Inc.**  
 3065 North 124th Street  
 Brookfield, WI 53005-3857  
 Ph: 800-571-0147 / Fax: 800-589-1068  
 www.usmailsupply.com

**Configuration Details:**

1. **Product Type:** 1400 Horizontal
2. **Installation:** Front-load, Recessed Mount
3. **Finish:** tbd
4. **Locks:** tbd
5. **Door Id:** tbd

Matching standard snap-on trim included

**Models Used:**

(1) 140075OU

**DO NOT SCALE OFF DRAWING**

**Door Sizes Used:**

- (30) 1400 1x1 Compartment
- (1) 1x1 Master
- (1) 1404 2x2 Collection

**ELEVATION:** 1400-75OU | **MAILBOXES:** 30 |

**DEALER:** U.S. MAIL SUPPLY, INC.

**PROJECT NAME:** 1400 SERIES

**DRAWN BY:**

**AF FLORENCE**  
 manufacturing company

5935 Corporate Drive • Manhattan, KS 66503  
 www.florencemailboxes.com • 800.275.1747

A GIBRALTAR INDUSTRIES COMPANY

**DATE:** 01-29-2016

**P.O. NO:**

**SCALE:** NONE

**QUOTE NO:**

**DRAWING NO.** WEB-24509

**SHEET 5 OF 5**