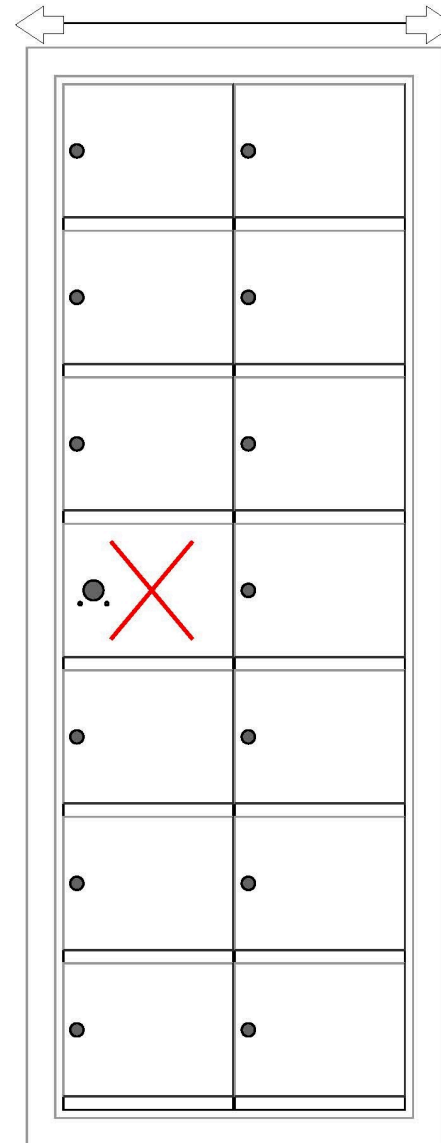


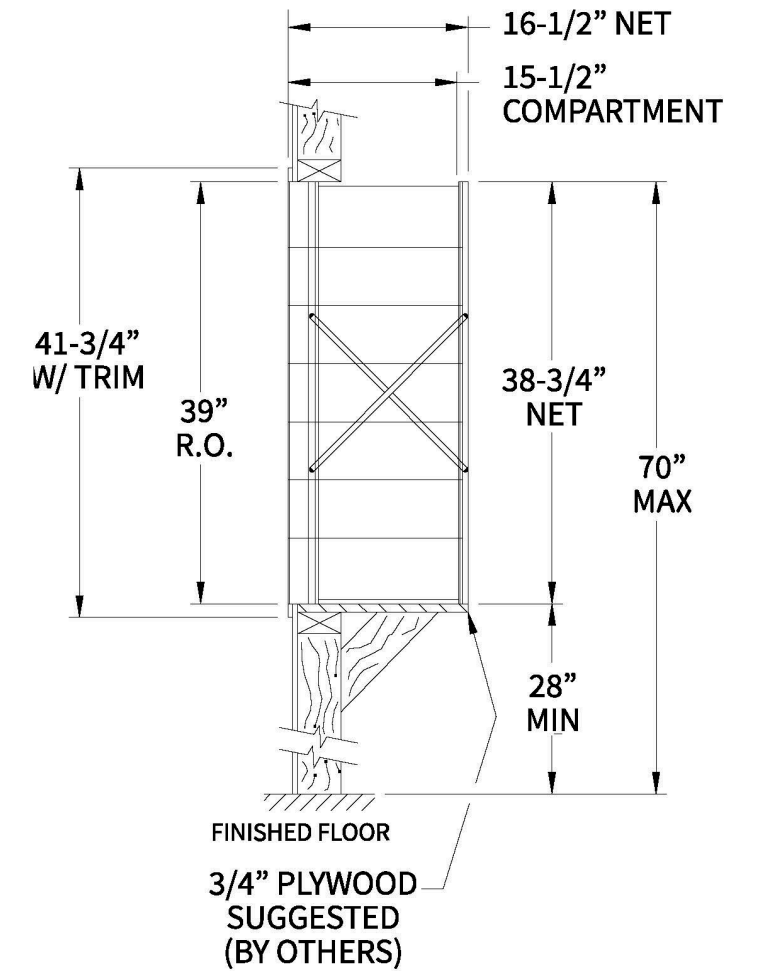
**1400-72 Dimensions**

Overall Width w/ Trim: 16-7/8"  
(Rough Opening: 14-5/8")



140072

**Side View**



**This Product Distributed By:**

**U.S. Mail Supply, Inc.**

3065 North 124th Street  
Brookfield, WI 53005-3857  
Ph: 800-571-0147 / Fax: 800-589-1068  
www.usmailsupply.com

**Configuration Details:**

- 1. **Product Type:** 1400 Horizontal
- 2. **Installation:** Front-load, Recessed Mount
- 3. **Finish:** tbd
- 4. **Locks:** tbd
- 5. **Door Id:** tbd

Matching standard snap-on trim included

**Models Used:**

(1) 140072

**DO NOT SCALE OFF DRAWING**

**Door Sizes Used:**

(13) 1400 1x1 Compartment  
(1) 1x1 Master

**ELEVATION:** 1400-72 | **MAILBOXES:** 13 |

**DEALER:** U.S. MAIL SUPPLY, INC.

**PROJECT NAME:** 1400 SERIES | **DRAWN BY:**

**AF FLORENCE**  
manufacturing company

5935 Corporate Drive • Manhattan, KS 66503  
www.florencemailboxes.com • 800.275.1747

A GIBRALTAR INDUSTRIES COMPANY

**DATE:** 01-29-2016 | **P.O. NO:**

**SCALE:** NONE | **QUOTE NO:**

**DRAWING NO.** WEB-24509 | **SHEET 1 OF 5**