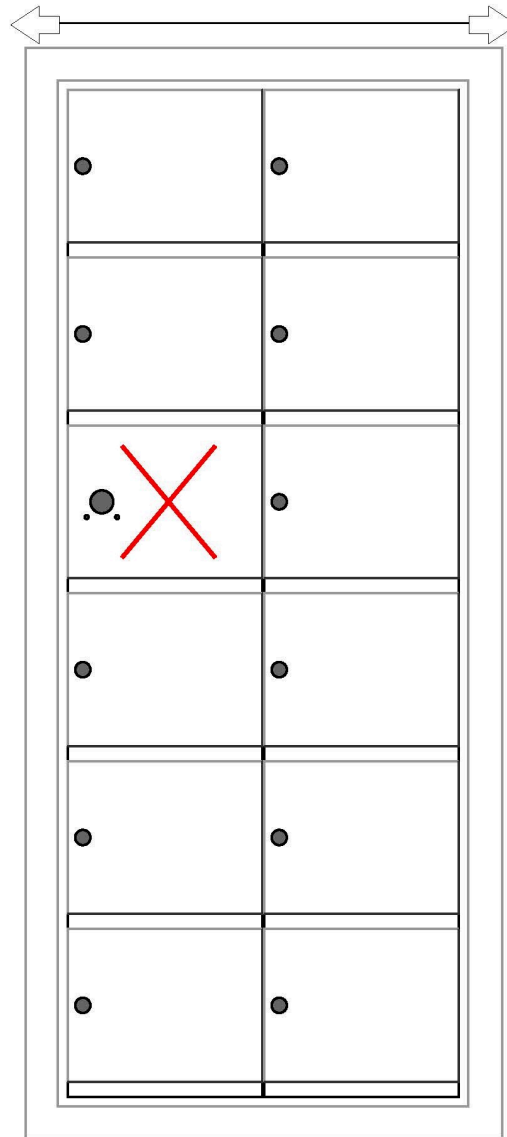


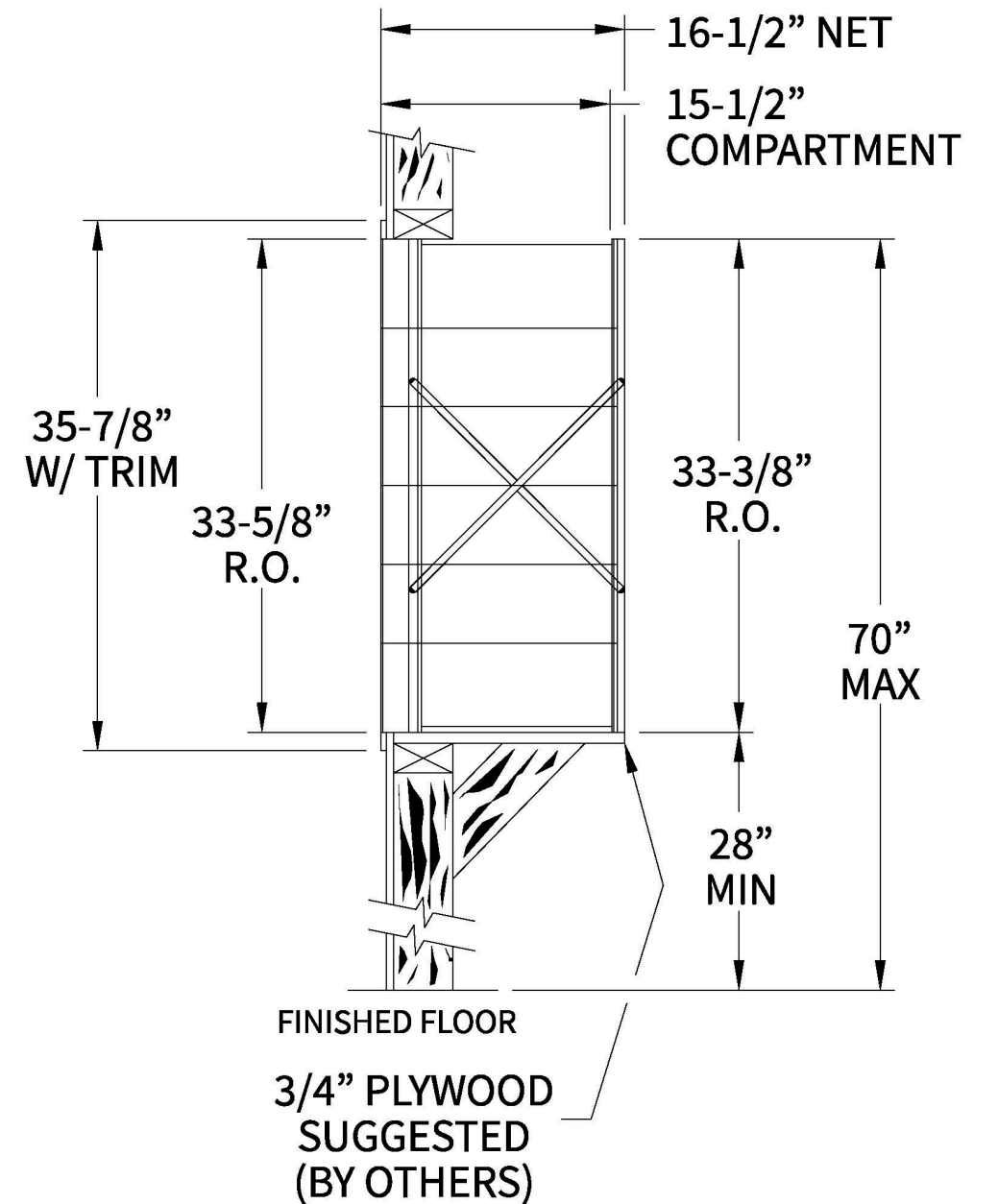
1400-62 Dimensions

Overall Width w/ Trim: 16-7/8"
(Rough Opening: 14-5/8")



140062

Side View



This Product Distributed By:

U.S. Mail Supply, Inc.

3065 North 124th Street
Brookfield, WI 53005-3857

Ph: 800-571-0147 / Fax: 800-589-1068

www.usmailsupply.com

Configuration Details:

- 1. **Product Type:** 1400 Horizontal
- 2. **Installation:** Front-load, Recessed Mount
- 3. **Finish:** tbd
- 4. **Locks:** tbd
- 5. **Door Id:** tbd

Matching standard snap-on trim included

Models Used:

(1) 140062

DO NOT SCALE OFF DRAWING

Door Sizes Used:

(11) 1400 1x1 Compartment
(1) 1x1 Master

ELEVATION: 1400-62 | **MAILBOXES:** 11 |

DEALER: U.S. MAIL SUPPLY, INC.

PROJECT NAME: 1400 SERIES

DRAWN BY:

AF FLORENCE
manufacturing company

5935 Corporate Drive • Manhattan, KS 66503
www.florencemailboxes.com • 800.275.1747

A GIBRALTAR INDUSTRIES COMPANY

DATE: 01-29-2016

P.O. NO:

SCALE: NONE

QUOTE NO:

DRAWING NO. WEB-24509

SHEET 6 OF 10