

Super Letter Locker®

Slightly larger than our Standard model, is the Super Letter Locker. This design also holds two weeks of mail, but is constructed with a rotating hopper door.

- Rotating hopper door with built-in Anti-Fish security feature
- Incoming mail slot measures 4-1/2"H x 10-1/2"W (accepts small packages)
- Outgoing mail pocket measures: 2"H x 10"W x 6"D
- Three lock options to choose from
- Holds approximately two weeks of mail
- Constructed of 14 and 16 gauge electro-galvanized steel
- Front loading
- Rear Access models available
- Finished with durable powder coating



Box Options

Front Access

Rear Access

Lock Options

Level 1: Standard Lock

Level 2: The Claw Lock

Level 3: The Claw with Medeco

Post Options

30" Aluminum Surface Mount Post

60" Aluminum In-Ground Post

Super Letter Locker®

How It Works:



Outgoing mail is placed in the 2"H x 10"W outgoing mail pocket for carrier pick-up



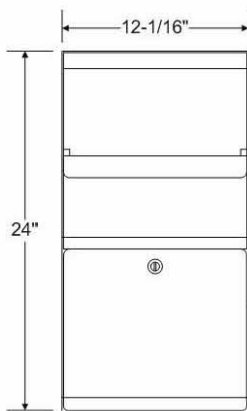
Incoming mail/ packages are placed in the top slot. When hopper door is closed, items drop inside



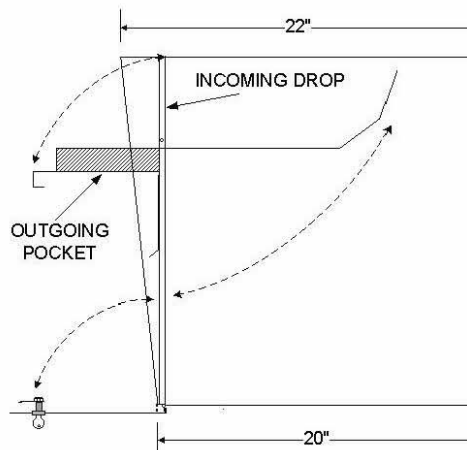
Retrieve your mail/ package from a locked access door located either in front OR in back.

Specifications

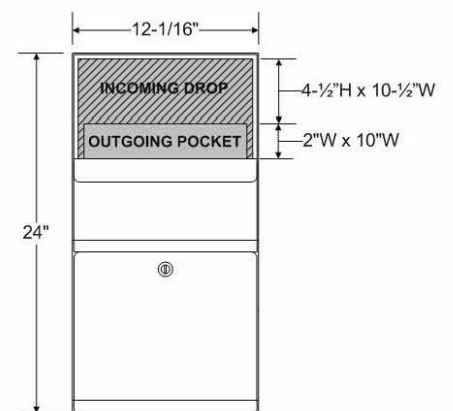
FRONT VIEW



SIDE VIEW



FRONT VIEW WITH OPEN DOOR



Color Options



Tan



Mineral Bronze



Grey



White



Black