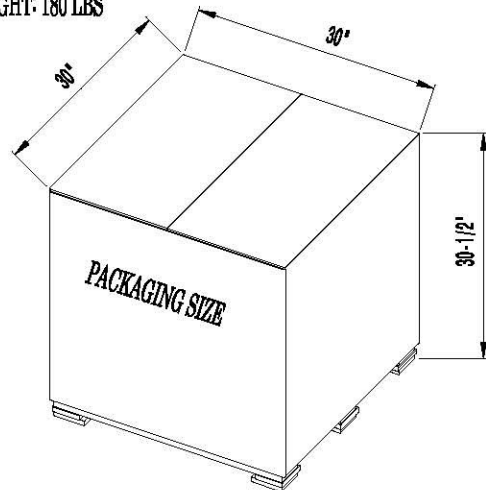


PACKAGING SIZE: 30" x 30" x 30-1/2"  
SHIPPING WEIGHT: 180 LBS



**INSTALLATION: \*GENERAL RULE OF THUMB: PICK, PLACE, LEVEL, & ANCHOR.\***

1. USE SPECIAL CARE WHEN POSITIONING TO NOT DAMAGE THE FINISH OF THE PLANTER. DO NOT ROLL ON SIDE, BASE RING, OR FEET. PICK AND SET INTO POSITION.
2. IT IS NOT RECOMMENDED TO LOCATE ANCHOR BOLTS UNTIL PLANTER IS IN PLACE. THIS PRODUCT MUST BE PERMANENTLY AFFIXED TO THE GROUND. CONSULT YOUR LOCAL CODES FOR REGULATIONS.
3. ONCE ANCHOR BOLT(S) ARE IN PLACE, REPLACE PLANTER IN POSITION AND USE LEVELING FEET TO LEVEL.
4. ANCHOR BOLT(S) NOT PROVIDED BY FLORENCE.
5. IT IS IMPORTANT TO REMEMBER TO PICK AND SET PLANTER INTO POSITION. THIS IS TO PROTECT THE FINISH AND LONGEVITY OF THE PLANTER.

**NOTES:**

1. DRAWINGS NOT TO SCALE. DO NOT SCALE DRAWINGS.
2. THIS PRODUCT IS SHIPPED FULLY ASSEMBLED.