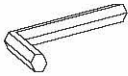


# Decorative Post (Model 6215)

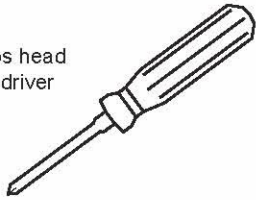
## Installation and Assembly Instructions

### Tools

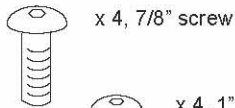
Allen wrenches  
(included)



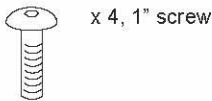
Phillips head  
screwdriver



### Hardware



x 4, 7/8" screw



x 4, 1" screw



x 2, small painted screw



x 4, 1/4" lock washer



x 4, 5/16" flat washer

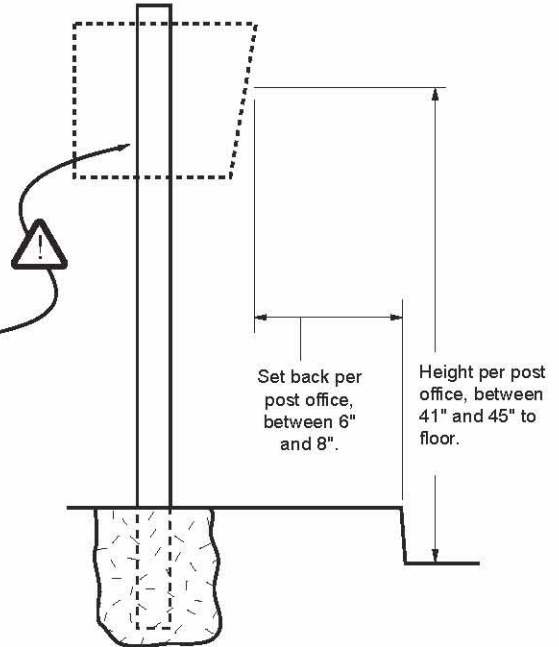


x 4, hole plugs

### 1

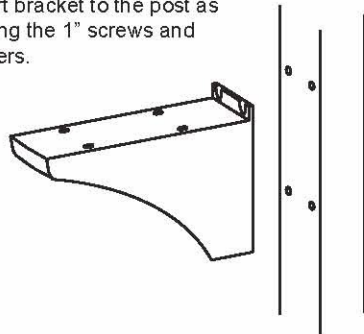
Dig a hole deep enough to allow the box to sit at the specified height. The height from the road level to the mail entry point is between 41 and 45 inches. Make sure the hole is set back from the road such that the distance from the curb to the mailbox handle is between 6 and 8 inches.

Insert the post with one set of holes facing forward for a single mailbox assembly. For double mailbox assemblies, the post must be mounted with the holes facing to the sides. Pour the concrete (at least 1 cubic foot recommended) completely around the post, making sure the post remains level and correctly positioned. Allow the concrete to set.



### 2

After the concrete has set, attach the support bracket to the post as shown using the 1" screws and lock washers.



**3** (A) Place the mailbox onto the support arm. Screw the mailbox onto the support arm using the 7/8" screws and flat washers.

(B) Secure the finial to the top of the post with the small painted screws.

(C) Push the hole plugs into the holes on the back of the post. If you are installing multiple mailboxes on this post, discard the hole plugs.

