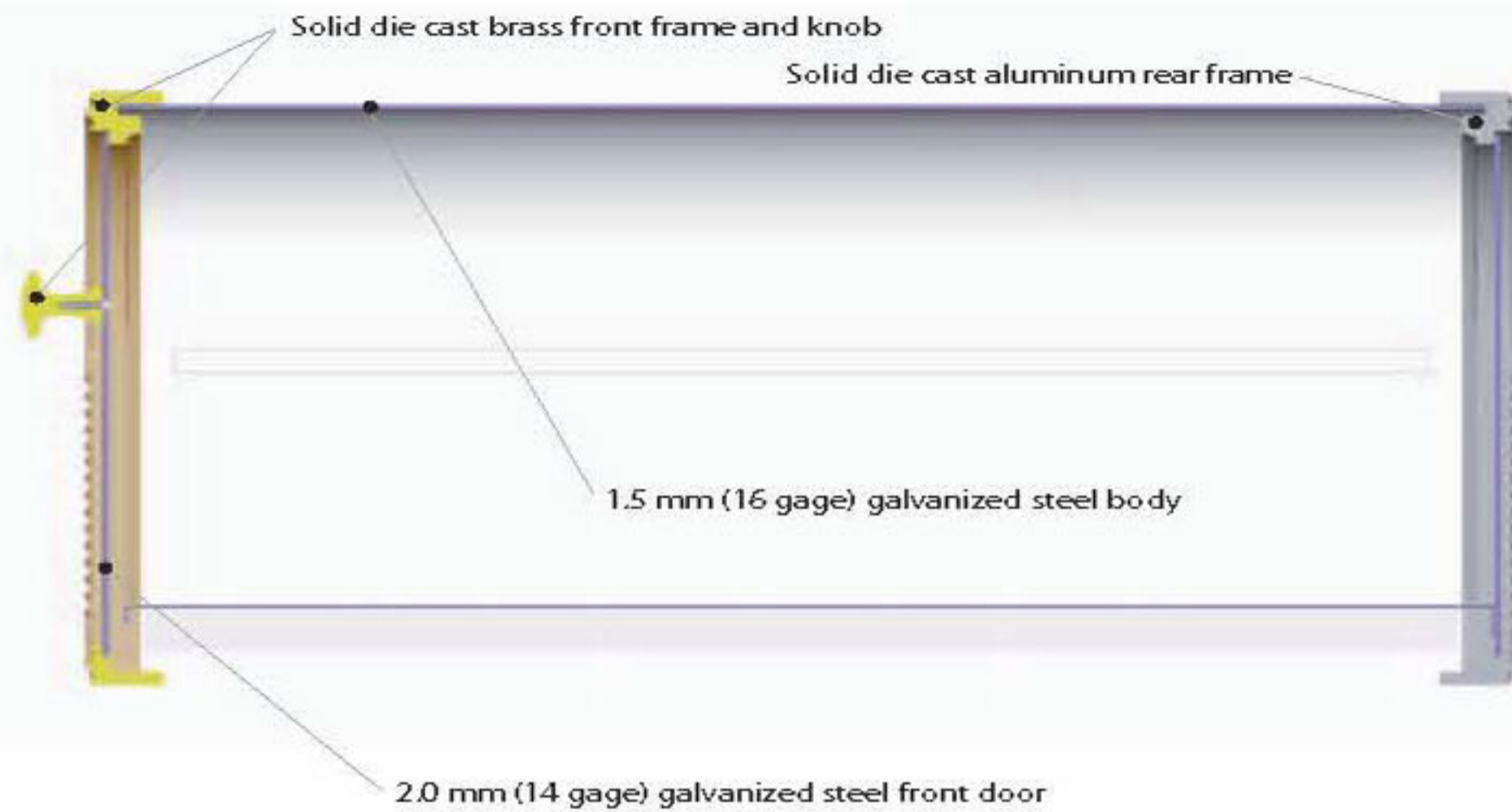
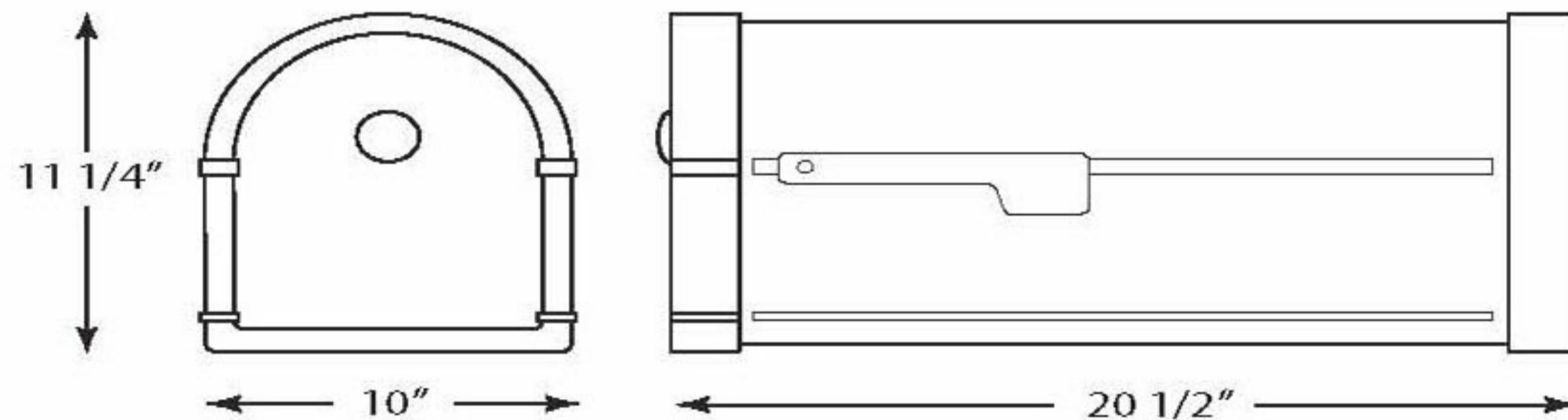


# mailbox specifications

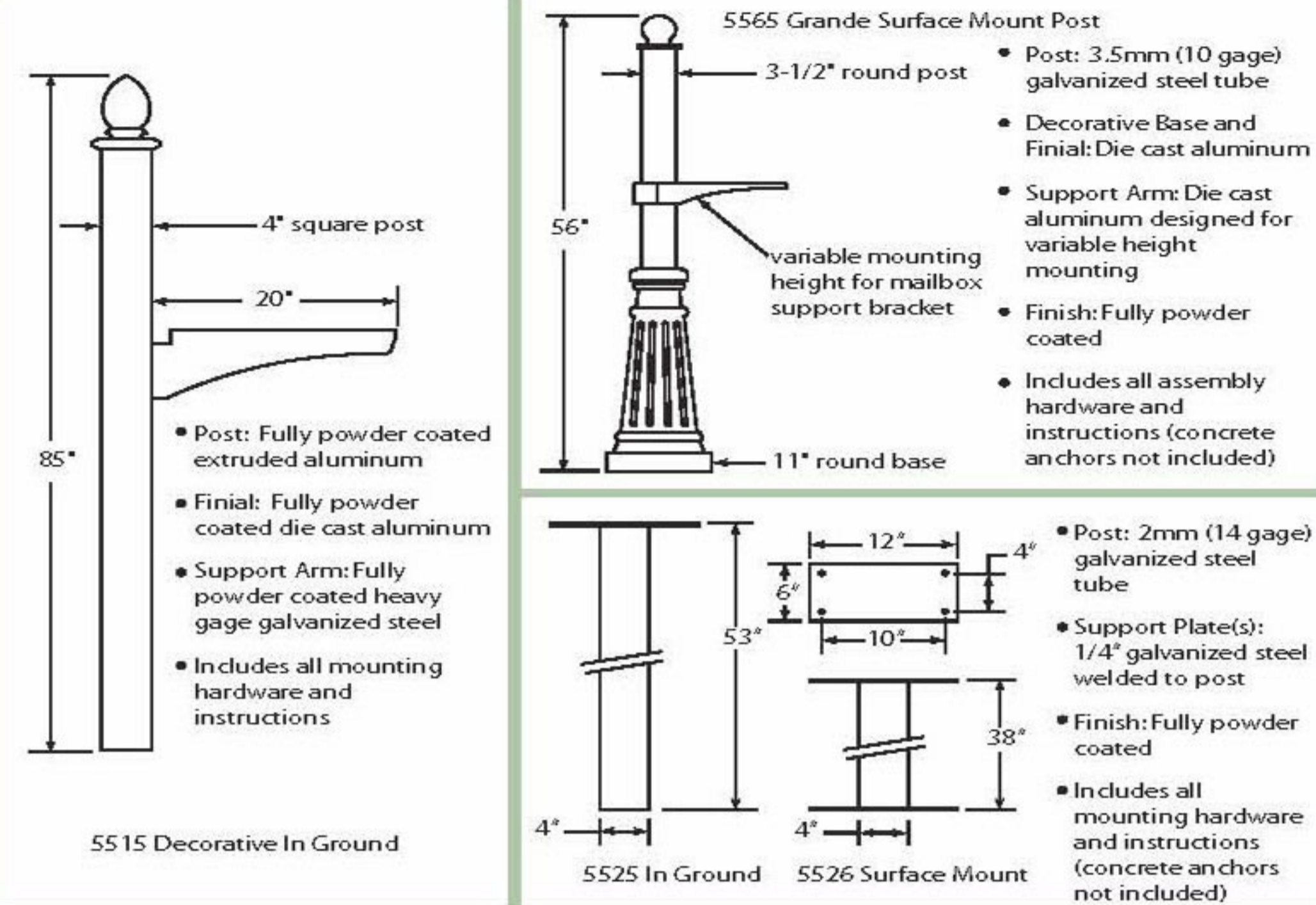


- Front Frame and Knob Accents: Solid die cast brass with sharp detail and deep relief, available in a variety of premium metallic finishes and colors
- Rear Frame: Solid die cast aluminum with sharp detail and deep relief, powder coated to match body
- Flag: Solid sheet brass finished to match the knob and front frame
- Body: Fully powder coated 1.5mm galvanized steel
- Door: Fully powder coated 2.0mm galvanized steel
- Floor: Fully powder coated 1.5mm galvanized steel
- Stainless steel door hinge and hardware
- All parts are completely powder coated and finished prior to assembly to eliminate corrosion within part joints
- Approved by the US Postmaster General



Models 5504, 5505, 5506, and 5507

# post specifications



# multi-family post configurations

