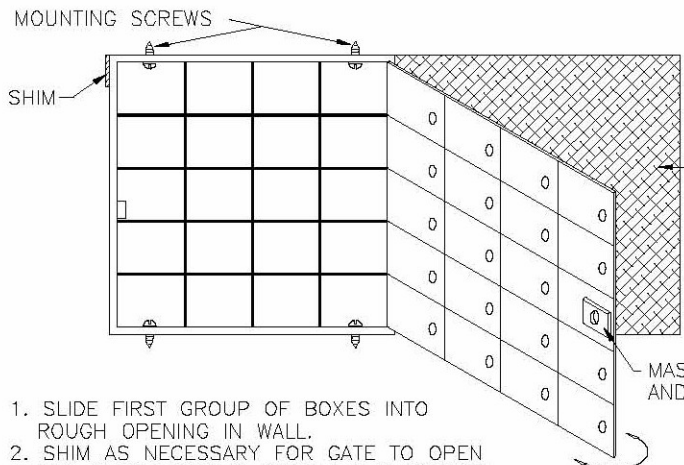


RECOMMENDED MOUNTING DETAILS FOR 1600 AND 1450 SERIES F/L MAILBOXES

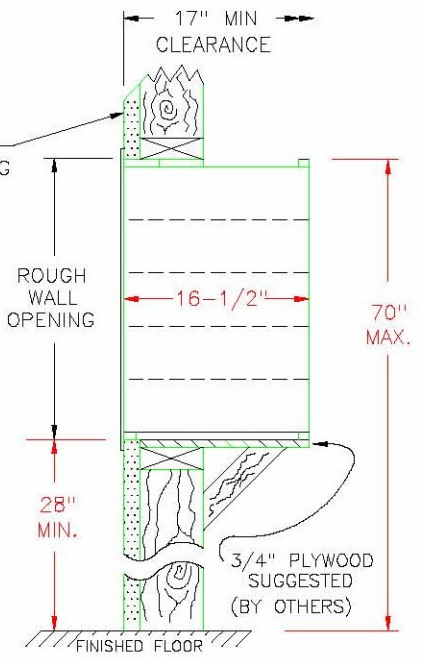


REFER TO ARCHITECTS CONSTRUCTION DRAWING FOR WALL DETAILS.

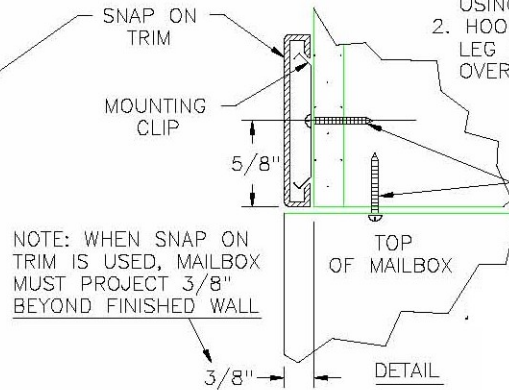
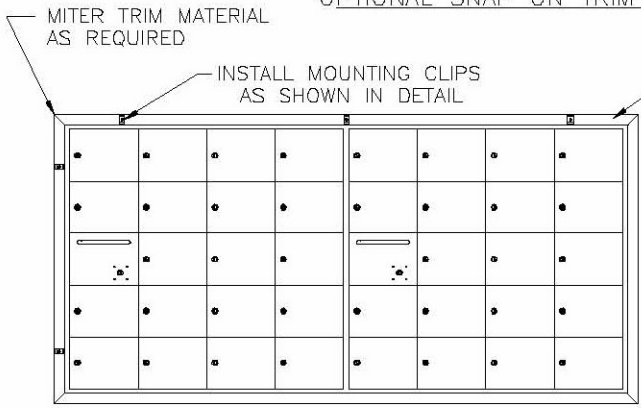
INSTALL NEXT GROUP

MASTER LOCK - SUPPLIED AND INSTALLED BY U.S.P.S.

1. SLIDE FIRST GROUP OF BOXES INTO ROUGH OPENING IN WALL.
2. SHIM AS NECESSARY FOR GATE TO OPEN AND CLOSE FREELY. INSTALL AND TIGHTEN MOUNTING SCREWS. (2 IN TOP, 2 IN BOTTOM)
3. INSTALL NEXT GROUP OF BOXES SAME AS ABOVE.



OPTIONAL SNAP ON TRIM MOUNTING DETAILS



1. SCREW MOUNTING CLIP TO WALL USING 8 X 1-1/4" SCREWS
2. HOOK ONE EDGE OF TRIM OVER LEG OF CLIP AND SNAP TRIM OVER SECOND LEG OF CLIP

NO. 8 X 1-1/4" SCREW (P/N 5129B)

NOTE: WHEN SNAP ON TRIM IS USED, MAILBOX MUST PROJECT 3/8" BEYOND FINISHED WALL

DETAIL