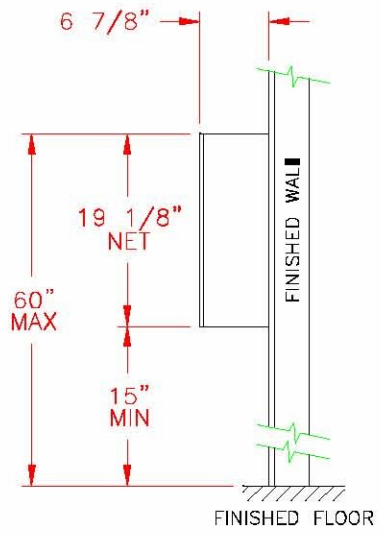
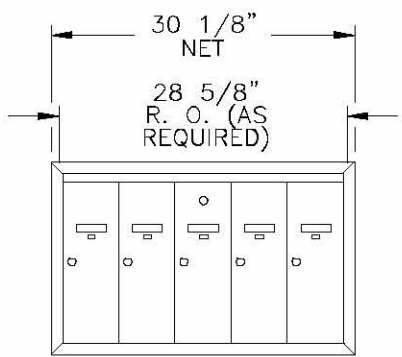
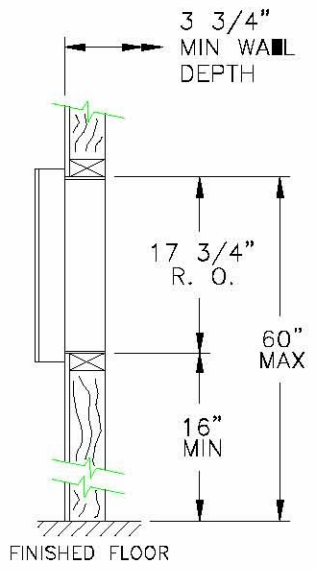


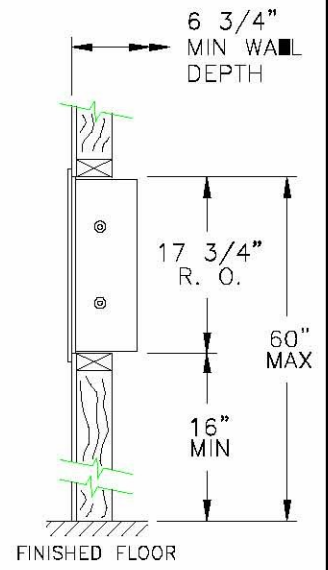
1250-5 VERTICAL STYLE MAILBOX



SURFACE MOUNT



SEMI-RECESSED



RECESSED MOUNT

- NOTES FOR U.S.P.S. APPROVED CONFIGURATION (AS SHOWN):
1. (1) 1250-5 SERIES ALUMINUM CABINET WITH (4) STANDARD SIZE DOORS (16"H x 5 1/2"W), AND (1) STANDARD SIZE MASTER DOOR PREPARED FOR POSTAL MASTER LOCK.
 2. FINISH: CLEAR ANODIZE OR GOLD ANODIZE
 3. LOCKS: 5-PIN CYLINDER CAM TYPE WITH (2) KEYS EACH.
 4. DOORS: TENANT NAME CARD HOLDER, ENGRAVING, OR BLACK-FILLED ENGRAVING ARE AVAILABLE.
 5. MOUNTING: SURFACE MOUNT, SEMI-RECESSED MOUNT, OR RECESS MOUNT ARE APPROVED. SURFACE MOUNT REQUIRES COLLAR SM125-5; SEMI-RECESSED MOUNT REQUIRES COLLAR SR120-5; RECESSED MOUNT REQUIRES NO COLLAR.
 6. UNIT WEIGHT: 28 POUNDS.

- AVAILABLE, U.S. POSTAL SERVICE APPROVED OPTIONS (CONSULT FACTORY):
1. DOORS: SIZES AND ARRANGEMENTS.
 2. DIRECTORIES: INTEGRAL, AS REQUIRED.
 3. PUSHBUTTONS: INTEGRAL DOORBELL PUSHBUTTONS.
 4. DOUBLE ROW INSTALLATION: MAINTAIN MAX AND MIN INSTALLATION DIMENSIONS AS SHOWN ON CUT SHEET

- AVAILABLE, NON-U.S. POSTAL SERVICE APPROVED OPTIONS FOR PRIVATE USE (CONSULT FACTORY):
1. MASTER LOCK: PRIVATE MASTER LOCK.