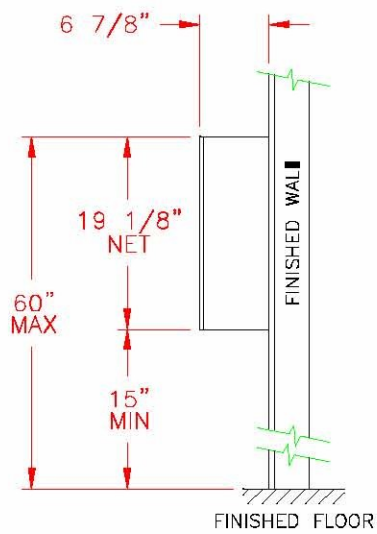
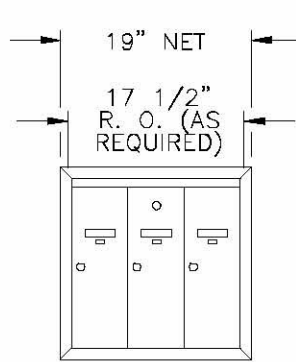
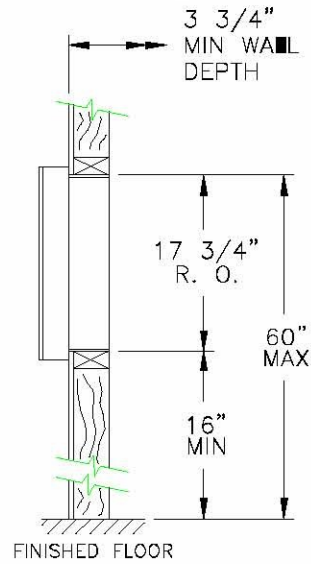


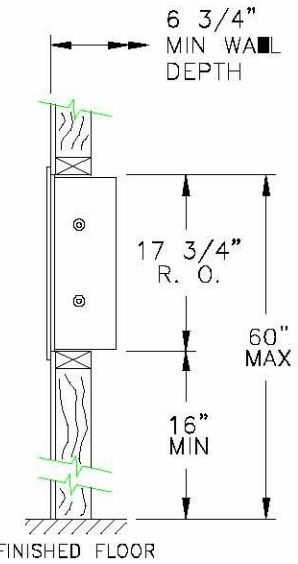
## 1250-3 VERTICAL STYLE MAILBOX



**SURFACE MOUNT**



**SEMI-RECESSED**



**RECESSED MOUNT**

### NOTES FOR U.S.P.S. APPROVED CONFIGURATION (AS SHOWN):

- (1) 1250-3 SERIES ALUMINUM CABINET WITH (2) STANDARD SIZE DOORS (16"H x 5 1/2"W), AND (1) STANDARD SIZE MASTER DOOR PREPARED FOR POSTAL MASTER LOCK.
- FINISH: CLEAR ANODIZE OR GOLD ANODIZE
- LOCKS: 5-PIN CYLINDER CAM TYPE WITH (2) KEYS EACH.
- DOORS: TENANT NAME CARD HOLDER, ENGRAVING, OR BLACK-FILLED ENGRAVING ARE AVAILABLE.
- MOUNTING: SURFACE MOUNT, SEMI-RECESSED MOUNT, OR RECESS MOUNT ARE APPROVED. SURFACE MOUNT REQUIRES COLLAR SM125-3; SEMI-RECESSED MOUNT REQUIRES COLLAR SR120-3; RECESSED MOUNT REQUIRES NO COLLAR.
- UNIT WEIGHT: 19 POUNDS.

### AVAILABLE, U.S. POSTAL SERVICE APPROVED OPTIONS (CONSULT FACTORY):

- DOORS: SIZES AND ARRANGEMENTS.
- DIRECTORIES: INTEGRAL, AS REQUIRED.
- PUSHBUTTONS: INTEGRAL DOORBELL PUSHBUTTONS.
- DOUBLE ROW INSTALLATION: MAINTAIN MAX AND MIN INSTALLATION DIMENSIONS AS SHOWN ON CUT SHEET

### AVAILABLE, NON-U.S. POSTAL SERVICE APPROVED OPTIONS FOR PRIVATE USE (CONSULT FACTORY):

- MASTER LOCK: PRIVATE MASTER LOCK.