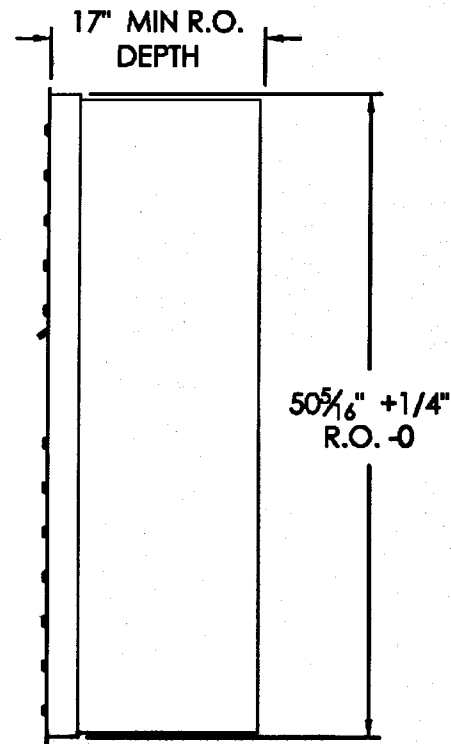


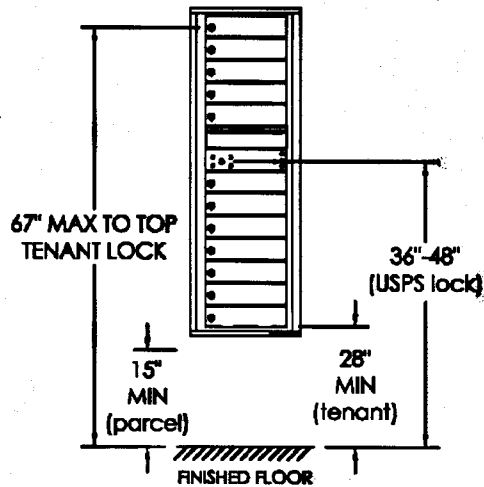
51 1/4"
ACTUAL

4CCT6-12



50 5/8" + 1/4"
R.O. -0

USPS
INSTALLATION
EXAMPLE



NOTES:

1. MODULE DOES NOT MEET USPS INSTALLATION SPECIFICATION REQUIREMENTS AS SHOWN IN DIAGRAM TO LEFT.
2. FOR PRIVATE DELIVERY ONLY UNLESS AUTHORIZED BY LOCAL POSTAL OFFICIALS.

U.S. Mail Supply, Inc.
3065 N. 124th St.
Brookfield, WI 53005

Phone: 800-571-0147 Fax: 800-589-1068

Visit Our Website: www.usmailsupply.com