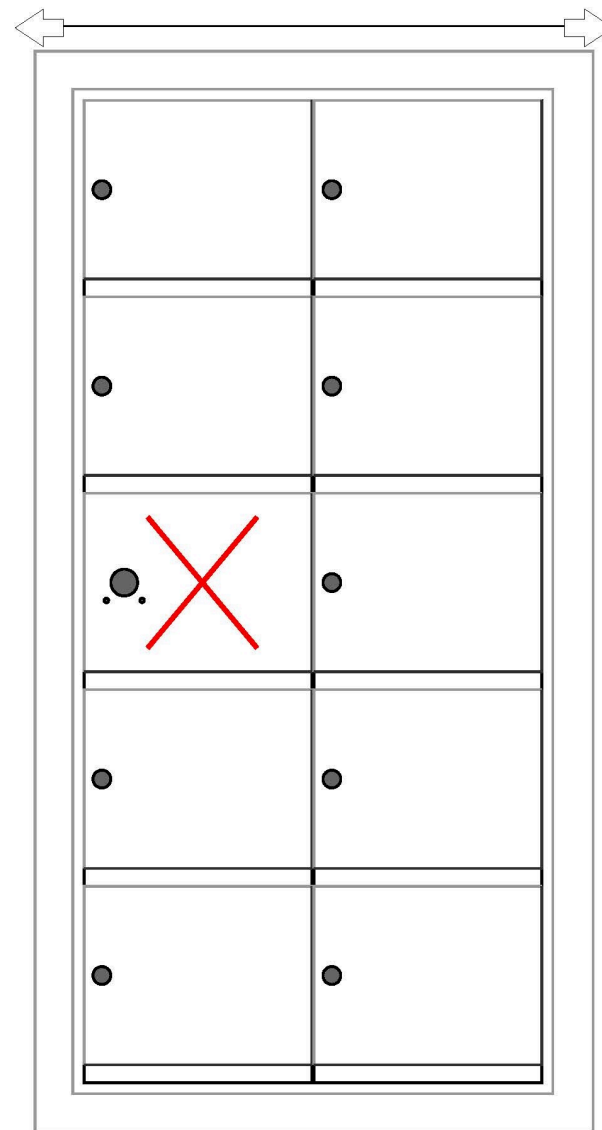


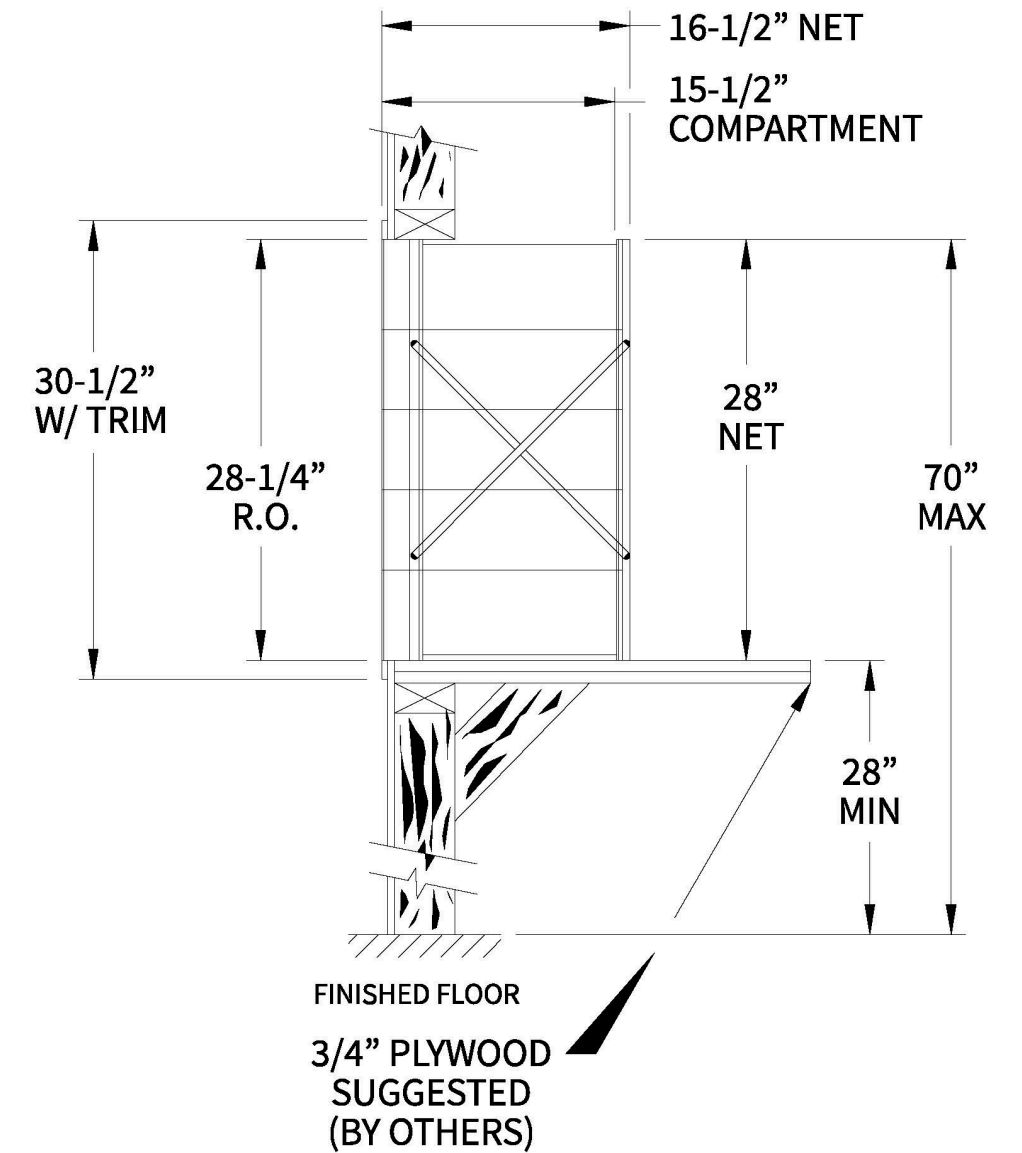
1400-52 Dimensions

Overall Width w/ Trim: 16-7/8"
(Rough Opening: 14-5/8")



140052

Side View



This Product Distributed By:
U.S. Mail Supply, Inc.
 3065 North 124th Street
 Brookfield, WI 53005-3857
 Ph: 800-571-0147 / Fax: 800-589-1068
 www.usmailsupply.com

Configuration Details:

1. **Product Type:** 1400 Horizontal
2. **Installation:** Front-load, Recessed Mount
3. **Finish:** tbd
4. **Locks:** tbd
5. **Door Id:** tbd

Matching standard snap-on trim included

Models Used:

(1) 140052

DO NOT SCALE OFF DRAWING

Door Sizes Used:

(9) 1400 1x1 Compartment
(1) 1x1 Master

ELEVATION: 1400-52 MAILBOXES: 9	
DEALER: U.S. MAIL SUPPLY, INC.	
PROJECT NAME: 1400 SERIES	DRAWN BY:
 5935 Corporate Drive • Manhattan, KS 66503 www.florencemailboxes.com • 800.275.1747 A GIBRALTAR INDUSTRIES COMPANY	DATE: 01-29-2016
	SCALE: NONE
	DRAWING NO.: WEB-24509
P.O. NO.:	QUOTE NO.:
SHEET 1 OF 10	